

**EDI-Recommendations  
of GS1 Germany  
Version 9.3  
GS1 DE All**

**Invoice Register  
(INVOIC)**

**EANCOM 2002 Syntax 3**

Introduction.....	2
Business Terms.....	7
Branching Diagram.....	9
Message Structure.....	13
Segmentlayout.....	15
Codes.....	52
Example.....	80

## Einführung

---

### Introduction

The aim of the brochure on hand is to offer documentation describing the exchange of invoice register data between business partners.

The basis of this elaboration is the international standard EANCOM® 2002. The message type INVOIC 011 is used to transmit relevant data. GEFEG.FX (Gefeg mbH, Berlin) was used as the documentation tool.

Please be aware to know that this booklet does not replace the complete specifications in the original chapters or other relevant instructions within the EANCOM® 2002 documentation. Instead, it deals with the description of segments, data elements and codes to be used for a specific task.

The current documentation has been produced by the GS1 Germany GmbH in Cologne. GS1 Germany assumes no liability for any damages incurring from the use of this documentation. This brochure or extracts thereof may only be published or forwarded to third parties with the express written consent of GS1 Germany, which holds copyright on this work.

### Important note

To fulfill the requirements of directive 2003/58/EG, article 4, C058 has been opened in NAD segments identifying a message sender. If the place in the 5 DE 3124 is not sufficient, the following RFF segments can be used, qualified with DE 1153 = GN. DE 1154 has got a capacity of 70 digits. Only in those cases, when no RFF segment follows NAD, a RFF+GN can be used in the heading section of the message. Within the EDI recommendations of GS1 Germany this is only applicable for the messages REMADV and SLSFCT.

### This brochure offers different ways to start

#### Introduction

"Introduction" contains a short description of the respective message.

#### BusinessTerms

"Business Terms", is a table which links directly to the sequence numbers of the segments.

#### Diagram

"Diagram", is a hierarchical graphic depiction of all used segments in the same sequence as they are defined in the EANCOM® message. However, every segment is shown only once, and it is therefore possible that the sequence numbering is interrupted.

#### Structure

"Structure", is a list of all used segments in the same sequence as they are defined in the EANCOM® message. In general, for each piece of information one single segment is provided. Exeptions may arise when the the occurrence of a segment is limited and can contain alternative information (e.g., segment BGM).

#### Segmentlayout

"Segmentlayout", an illustration that has been chosen to match the business terms (data from the inhouse application) with the elements from the EANCOM® syntax.

#### Codes

"Codes" contains a list of the codes used in the message.

## Einführung

---

### Examples

"Examples", provides at least one message example with comments. Please note that, for technical reasons, the examples can contain component data element separators, which would otherwise be represented as data element separators in the original messages.

### Print

"Print" opens the PDF documentation for the corresponding message.

### Message structure

#### Heading section

Specification of payee and payor.

#### Detail section

Not used.

#### Summary section

The summary section contains total amounts per VAT rate.

### IMPORTANT NOTE:

**THIS MESSAGE IS NO INVOICE IN TERMS OF THE GERMAN § 14 USTG. VAT AMOUNTS ARE SHOWN FOR INFORMATION PURPOSES ONLY!**

This message „INVOICE REGISTER“ (INVOIC, BGM = 393) is placed behind the invoices related to the outlets of one retailer and contains the total amounts.

### Notes to EDI recommendations based on EANCOM® message type INVOIC

#### Agreements Summary Section

Indication of segment status in "Segment notes"

For all conditional MOA segments within our recommended INVOIC structured messages (UNH DE 0065 = INVOIC), DE 5004 may NOT have a value of zero (0) and must be omitted, unless it is qualified (e.g., taxable value = 0 for non-taxable sums such as donations).

For all mandatory MOA segments within our recommended INVOIC structured messages (UNH DE 0065 = INVOIC), DE 5004 must have a value, even if it is zero (0).

The taxable amount (MOA+125) and the amount of the tax (MOA+124) must be indicated, even if they have a value of zero (0).

Segment group 52 is only used, if the invoice contains more than one tax rate. Every tax rate of the lines must be indicated in one SG52. If an invoice/credit note contains tax-free sums in addition to taxable sums, the summary section of the invoice (and the invoice register message BGM+393, if the use of this message is bilaterally agreed) must contain the corresponding TAX segment in SG52.

## Einführung

---

### REFERENCES IN THE PRESS SECTOR

#### Message structure

##### Heading section

Specification of supplier/issuer of invoice and buyer.

##### Detail section

Not used.

##### Summary section

The summary section contains total amounts per VAT rate.

### Special features for PRESS INVOIC

#### Components of the press accounting

The press invoice consists of the collective invoices and proofs of delivery contained in the transmission file. If agreed accordingly, a collective invoice in paper form is added, which refers to the transmission file. For information purposes, in cases where this has been agreed, invoice list totals are transmitted in the transmission file which summarize all collective invoices of an invoicing party contained in the transmission file which are sent to an invoice list recipient. For the purpose of invoice verification, the stores supplied shall receive a paper list, also for information purposes only, of all debits and credits for the previous week.

#### Structure of the press accounting

Proofs of delivery are generated for all deliveries, subsequent deliveries, corrections, returns and other business transactions.

In the collective invoice, all invoice items of a week (deliveries, subsequent deliveries, corrections, returns, other invoice items) are balanced on an item-specific basis (e.g. deliveries of a week + subsequent deliveries of a week - delivery reports of a week - returns of a week = total quantity x price = invoice item), irrespective of the document type and the sequence on a GTIN basis (= 13-digit main code).

The net invoice amounts and tax amounts shown in the collective invoices of a week are summarized in an invoice list total for each invoice list recipient, if agreed accordingly. The invoice list total is only transmitted for information purposes.

If a collective invoice is created, the invoice charges and tax amounts for the sales of a transmission period (week) will be summarized in this collective invoice. In the collective invoice, reference is made to the transmission file containing the collective invoices and the proofs of delivery.

#### Invoice details

If no collective invoice is created or if a collective invoice is created but the invoice details required

## Einführung

---

by Section 14 (4) UStG are not included in the collective invoice, the invoice details required by Section 14 (4) UStG are included in the collective invoices and the proofs of delivery.

The listed parties are identified with GLN (International Location Numbers), which are part of the master data of the parties. The addresses for the numbers, which have been assigned by GS1 Germany, can be found at [www.gepir.de](http://www.gepir.de).

The collective invoices contain the indication of the delivery/settlement period. The delivery date for the individual deliveries and subsequent deliveries results from the proof of delivery.

The remuneration owed results from the collective invoices and the - if issued - collective invoice.

### Components of the EDI recommendations for press products

The structure of the collective invoice - if created - is explained in the EDI recommendation of GS1 Germany for press products, collective invoice (summary invoice), in connection with EANCOM® 2002 S3, INVOIC.

The structure of the transmission file is explained in the EDI recommendation of GS1 Germany for press products, service segments (transmission file), in EANCOM® 2002 S3.

The structure of the collective invoices is explained in the EDI recommendation of GS1 Germany for press products, invoice/credit note (INVOIC), in EANCOM® 2002 S3.

The structure of the proof of delivery is explained in the EDI recommendation of GS1 Germany for press products, proof of delivery ((Proforma)INVOIC), in EANCOM® 2002 S3.

The structure of the invoice list totals transmitted by message - if created - is explained in the EDI recommendation of GS1 Germany for press products, invoice list total (INVOIC), in EANCOM® 2002 S3.

### Definitions

In all EDI recommendations, the terms delivery address, buyer, invoice recipient, and invoice list recipient are used.

#### Delivery address

The delivery address is the address to which goods are delivered. This can be a branch of a chain store or a legally independent company, which is then also the buyer/service recipient.

#### Buyer

The buyer means the recipient of the service in the VAT sense.

#### Invoice recipient and invoice list recipient

The invoice recipient and invoice list recipient are identical. The invoice (list) recipient is either the buyer or a company that has been commissioned by the buyer with the receipt/regulation of the invoices. In the SG2-NAD+BY segment of the collective invoice and the proof of delivery, the identification of the buyer is indicated in the DE3039 field with the designation "Identification of the buyer/invoice recipient". If, for example, the buyer has commissioned a central payer to settle the invoices, the identification of the central payer is also specified in segment SG2-NAD+IV of the collective invoice and the proof of delivery in field DE3039 with the designation "Identification of the invoice recipient".

## Einführung

---

### Accompanying documents

Special brochure: Beschreibung der Darstellung von Spenden in der EANCOM® INVOIC

Special brochure: Beschreibung der Darstellung von Münzgeld (Zigaretten-Automatenpackungen) in der EANCOM® INVOIC

### Definitions

Within the EDI recommendations the following terms are in use:

#### Delivery note (Lieferschein)

The delivery note is a list with type and quantity of goods delivered to a plant location. The paper document is handed over at the place of goods receipt together with the products.

#### Proforma invoice (Liefernachweis)

(Electronic) document to the same destination (retailers head office) as the invoice with the content of the delivery note (including or exclusive prices, but WITHOUT VAT amounts).

#### Consolidation of proforma invoices (Sammelrechnung)

On line level accumulated invoice to merge delivery notes/proforma invoices.

#### Collective settlement (Sammelabrechnung, Zusammenfassende Rechnung)

Note: By change of the German §14 UStG (Value Added Tax Act) this printed document is no more relevant for tax purposes in Germany.

#### Total invoice (Summenrechnung)

At line level of the invoice references to other documents are provided which refer to products and/or services.

#### Invoice register (Rechnungsliste)

Paper document to sum up invoices of one invoicing period and containing control amounts. If this document is requested for organisational purposes, it must be agreed on a bilaterally basis.

**Business Terms**

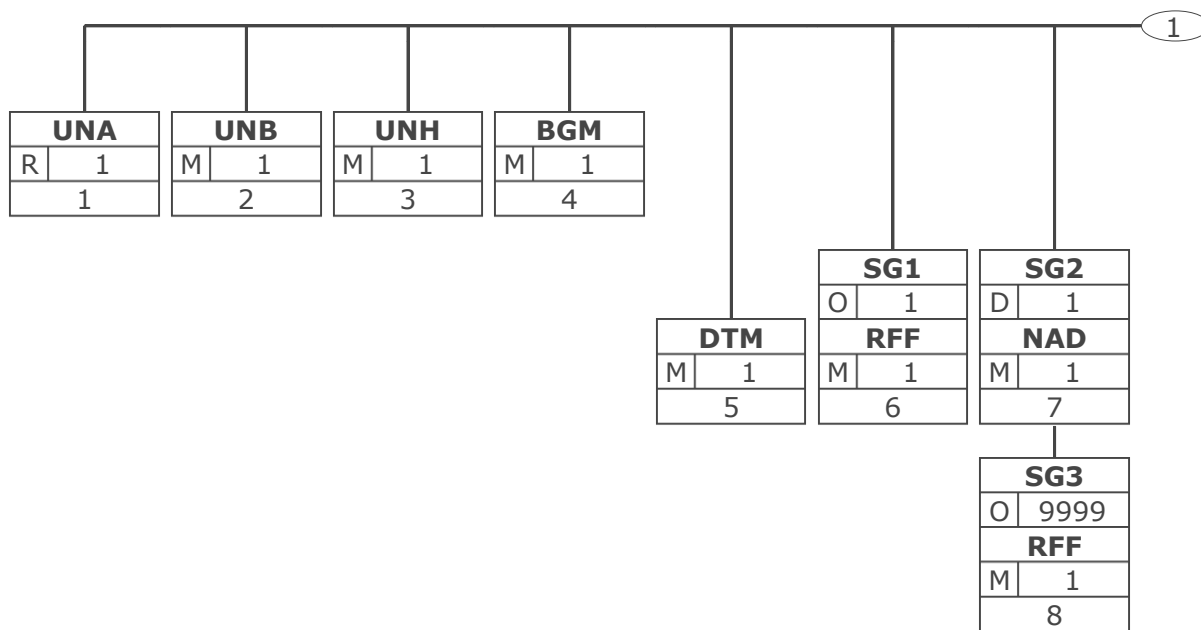
<b>Business Term</b>	<b>EANCOM-Segment</b>		<b>Data Element</b>	
	Seg.-No.	Segment SG	DEG	DE
Acknowledgement request	2	UNB		0031
Address for reverse routing	2	UNB	S002	0008
Agreement number	6	RFF SG1#1	C506	1154
Application reference	2	UNB		0026
Character set	2	UNB	S001	0001
Component data element separator	1	UNA		UNA1
Creation date	5	DTM	C507	2380
Currency	19	CUX SG7#1	C504	6345
Data element separator	1	UNA		UNA2
Decimal notation	1	UNA		UNA3
Document qualification	4	BGM	C002	1000
Due date	23	DTM SG8#2	C507	2380
Due date without deduction	21	DTM SG8#1	C507	2380
EANCOM	2	UNB		0032
End of the transmission file, Number of messages or message groups	34	UNZ		0036
File creation date	2	UNB	S004	0017
File creation time	2	UNB	S004	0019
Identification of obligated payer	16	NAD SG2#6	C082	3039
Identification of recipient of the invoice register (buyer)	9	NAD SG2#3	C082	3039
Identification of recipient of the invoice register (Central payment service provider)	7	NAD SG2#1	C082	3039
Identification of the receiver of the transmission file	2	UNB	S003	0010
Identification of the sender of the transmission file	2	UNB	S002	0004
Interchange control reference, beginning	2	UNB		0020
Interchange control reference, end	34	UNZ		0020
Invoice register number	4	BGM	C106	1004
Invoice register taxable amount per VAT rate	31	MOA SG52#1	C516	5004
Message function	4	BGM		1225
Message reference number	3	UNH		0062
Obligated payer	16	NAD SG2#6		3035
Password interchange	2	UNB	S005	0022
Payable amount of invoice register	26	MOA SG50#2	C516	5004
Payees identification	17	NAD SG2#7	C082	3039
Payment date	22	PAT SG8#2		4279
Payment terms 1	20	PAT SG8#1		4279
Rate of exchange	19	CUX SG7#1		5402

**Business Terms**

<b>Business Term</b>	<b>EANCOM-Segment</b>		<b>Data Element</b>	
	Seg.-No.	Segment SG	DEG	DE
Receivers (buyers) (VA)Tax registration number	10 RFF	SG2#3\SG3#1	C506	1154
Receivers (VA)Tax registration number	8 RFF	SG2#1\SG3#1	C506	1154
Release character	1 UNA			UNA4
Reserved for future use	1 UNA			UNA5
Routing address	2 UNB		S003	0014
Segment terminator	1 UNA			UNA6
Statements on business letters	12 RFF	SG2#5\SG3#1	C506	1154
Supplier/issuer of invoice identification	11 NAD	SG2#5	C082	3039
Supplier/issuer of invoice tax fiscal number	15 RFF	SG2#5\SG3#4	C506	1154
Supplier/issuer of invoice VAT registration number	14 RFF	SG2#5\SG3#3	C506	1154
Suppliers additional identification	13 RFF	SG2#5\SG3#2	C506	1154
Syntax version	2 UNB		S001	0002
Tax amount per tax rate	30 MOA	SG52#1	C516	5004
Tax per invoice register amount	29 TAX	SG52#1	C241	5153
Taxable amount of invoice register	28 MOA	SG50#4	C516	5004
Test indicator	2 UNB			0035
Total amount of the invoice register	25 MOA	SG50#1	C516	5004
Total amount of the invoice register per VAT rate	32 MOA	SG52#1	C516	5004
Total number of segments	33 UNT			0074
Total tax amount of invoice register	27 MOA	SG50#3	C516	5004
Value added tax on document level	18 TAX	SG6#1	C241	5153
Value date	23 DTM	SG8#2	C507	2380

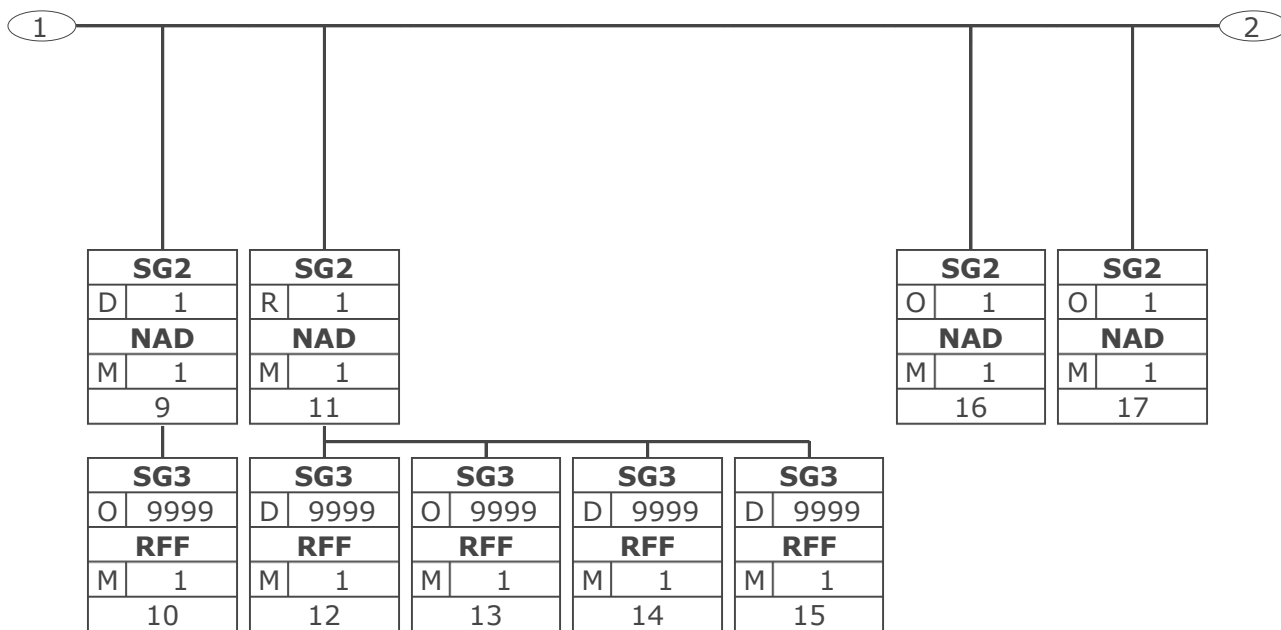


### Branching Diagram



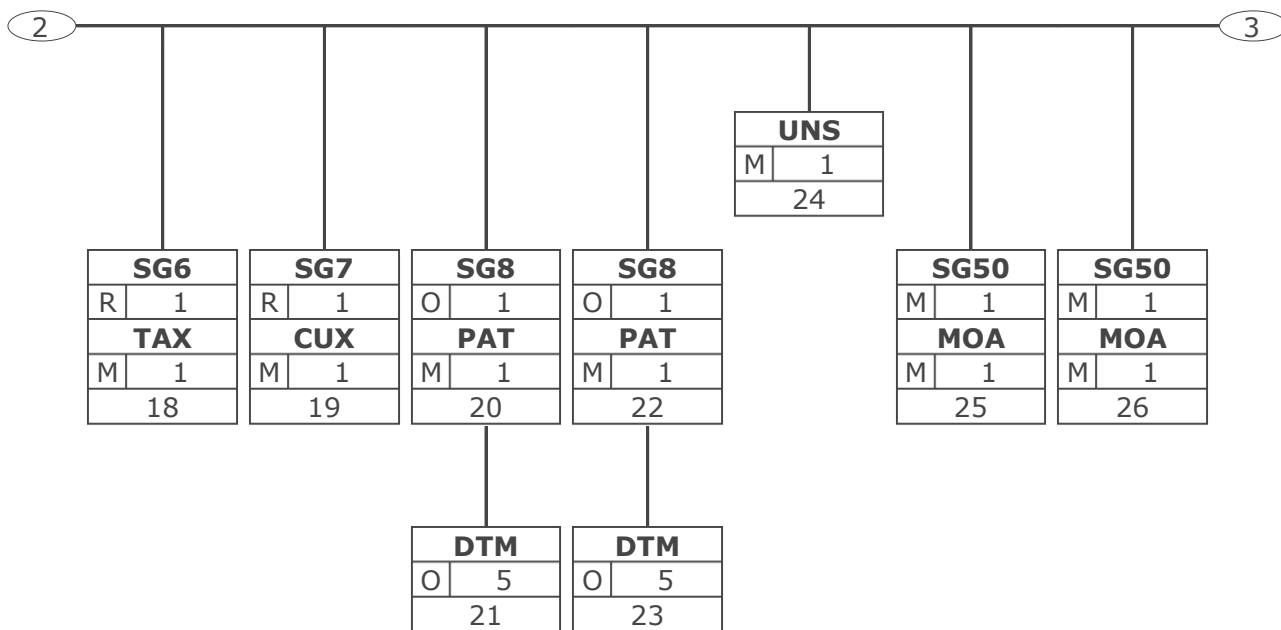
Tag	Tag = Segment/Group Tag	
St	MaxOcc	St = Status (M=Mandatory, C=Conditional, R=Required, O=Optional, A=Advised, D=Dependent)
No	MaxOcc = Maximum occurrence of the segment/group; No = Consecutive segment number	

### Branching Diagram



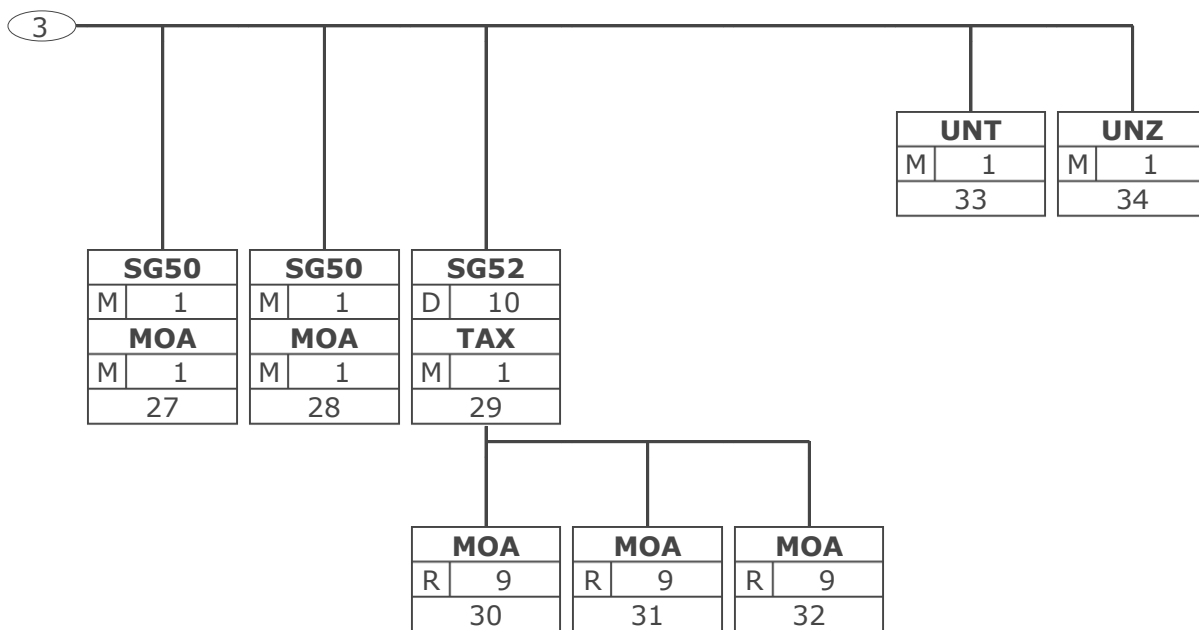
Tag	Tag = Segment/Group Tag
St   MaxOcc	St = Status (M=Mandatory, C=Conditional, R=Required, O=Optional, A=Advised, D=Dependent)
No	MaxOcc = Maximum occurrence of the segment/group; No = Consecutive segment number

### Branching Diagram



Tag	Tag = Segment/Group Tag
St   MaxOcc	St = Status (M=Mandatory, C=Conditional, R=Required, O=Optional, A=Advised, D=Dependent)
No	MaxOcc = Maximum occurrence of the segment/group; No = Consecutive segment number

### Branching Diagram



Tag	Tag = Segment/Group Tag	
St	MaxOcc	St = Status (M=Mandatory, C=Conditional, R=Required, O=Optional, A=Advised, D=Dependent)
No	MaxOcc	MaxOcc = Maximum occurrence of the segment/group; No = Consecutive segment number

## Message Structure

Seg.	No.	Status	Max Occ	Segment
UNA	1	R	1	Used character set
UNB	2	M	1	Beginning of transmission file
<b>Heading section</b>				
UNH	3	M	1	Beginn of message
BGM	4	M	1	Invoice register number
DTM	5	M	1	Creation date
SG1		O	1	RFF-DTM
RFF	6	M	1	Agreement number
SG2		D	1	NAD-FII-SG3-SG5
NAD	7	M	1	Identification of recipient of the invoice register (Central payment service provider)
SG3		O	9999	RFF
RFF	8	M	1	Receivers (VA)Tax registration number
SG2		D	1	NAD-FII-SG3-SG5
NAD	9	M	1	Identification of recipient of the invoice register (buyer)
SG3		O	9999	RFF
RFF	10	M	1	Receivers (Buyers) (VA)Tax registration number
SG2		R	1	NAD-FII-SG3-SG5
NAD	11	M	1	Supplier/issuer of invoice identification
SG3		D	9999	RFF
RFF	12	M	1	Statements on business letters
SG3		O	9999	RFF
RFF	13	M	1	Suppliers additional identification
SG3		D	9999	RFF
RFF	14	M	1	Supplier/issuer of invoice VAT registration number
SG3		D	9999	RFF
RFF	15	M	1	Supplier/issuer of invoice fiscal tax number
SG2		O	1	NAD-FII-SG3-SG5
NAD	16	M	1	Identification of obligated payer
SG2		O	1	NAD-FII-SG3-SG5
NAD	17	M	1	Payees identification
SG6		R	1	TAX-MOA
TAX	18	M	1	Value added tax on document level
SG7		R	1	CUX-DTM
CUX	19	M	1	Currency
SG8		O	1	PAT-DTM-PCD-MOA-PAI-FII
PAT	20	M	1	Payment terms 1
DTM	21	O	5	Due date without deduction
SG8		O	1	PAT-DTM-PCD-MOA-PAI-FII
PAT	22	M	1	Payment date
DTM	23	O	5	Value date
<b>Summary section</b>				
UNS	24	M	1	Begin summary section

Max. Occ. = Maximum occurrence of the segment/group, Status: M=Mandatory, C=Conditional, R=Required, O=Optional, A=Advised, D=Dependent

**Message Structure**

<b>Seg.</b>	<b>No.</b>	<b>Status</b>	<b>Max Occ</b>	<b>Segment</b>
SG50		M	1	MOA-SG51
MOA	25	M	1	Total amount of the invoice register
SG50		M	1	MOA-SG51
MOA	26	M	1	Payable amount of invoice register
SG50		M	1	MOA-SG51
MOA	27	M	1	Total tax amount of invoice register
SG50		M	1	MOA-SG51
MOA	28	M	1	Taxable amount of invoice register
SG52		D	10	TAX-MOA
TAX	29	M	1	Tax per invoice register amount
MOA	30	R	9	Tax amount per tax rate
MOA	31	R	9	Invoice register taxable amount per VAT rate
MOA	32	R	9	Total amount of the invoice register per VAT rate
UNT	33	M	1	End of the message
UNZ	34	M	1	End of the transmission file

Max. Occ. = Maximum occurrence of the segment/group, Status: M=Mandatory, C=Conditional, R=Required, O=Optional, A=Advised, D=Dependent

## Segment Layout

No. Seg	St	Max. Occ.			
1		R 1	<b>UNA</b> Service string advice		
To define the characters selected for use as delimiters and indicators in the rest of the interchange that follows.					
Business Term	DE	EDIFACT	Format	St	* Description
Component data element separator	UNA1	Component data element separator	an1	M	Default value: ":"
Data element separator	UNA2	Data element separator	an1	M	Default value: "+"
Decimal notation	UNA3	Decimal notation	an1	M	Default value: "."
Release character	UNA4	Release indicator	an1	M	Default value: "?"
Reserved for future use	UNA5	Reserved for future use	an1	M	(Default value: space )
Segment terminator	UNA6	Segment terminator	an1	M	Default value: "' "
The use of the UNA segment is mandatory, if character set "A" (UNB,DE0001) is not used.					
For international EDI the use of character set UNOA is recommended. For national (German) EDI the use of UNOC is reasonable because it contains lower case letters and umlauts.					
Example: UNA:+.?' '					
The UNA segment contains the default service string characters.					

Max. Occ. = Maximum Occurrence, St = Status, \* = Restricted Codes  
 Status: M=Mandatory, R=Required, O=Optional, D=Dependent, A=Advised, N=Not used

## Segment Layout

No. Seg	St	Max. Occ.				
2	<b>UNB</b>	M 1	Interchange header To start, identify and specify an interchange.			
Business Term	DE	EDIFACT	Format	St	*	Description
	S001	Syntax identifier		M		
Character set	0001	Syntax identifier	a4	M	*	UNOA UN/ECE level A UNOB UN/ECE level B UNOC UN/ECE level C UNOD UN/ECE level D UNOE UN/ECE level E UNOF UN/ECE level F
Syntax version	0002	Syntax version number	n1	M	*	3 Version 3
	S002	Interchange sender		M		
Indentification of the sender of the transmission file	0004	Sender identification	an..35	M		= Global Location Number (GLN)
	0007	Partner identification code qualifier	an..4	R	*	14 GS1
Address for reverse routing	0008	Address for reverse routing	an..14	O		See note
	S003	Interchange recipient		M		
Indentification of the receiver of the transmission file	0010	Recipient identification	an..35	M		= Global Location Number (GLN)
	0007	Partner identification code qualifier	an..4	R	*	14 GS1
Routing address	0014	Routing address	an..14	O		See note
	S004	Date/time of preparation		M		
File creation date	0017	Date of preparation	n6	M		= Dateformat JJMMTT
File creation time	0019	Time of preparation	n4	M		= Timeformat HHMM
Interchange control reference, beginnig	0020	Interchange control reference	an..14	M		= Unique senders reference
	S005	Recipient's reference, password		O		
Password interchange	0022	Recipient's reference/ password	an..14	M		
	0025	Recipient's reference/ password qualifier	an2	O	*	AA Reference BB Password
Application reference	0026	Application reference	an..14	O		Message type if the transmission fole contains only one message type
	0029	Processing priority code	a1	O	*	A Highest priority
Acknowledgement request	0031	Acknowledgement request	n1	O		
EANCOM	0032	Communications agreement ID	an..35	R		= EANCOM... EDIFACT subset identification (see note)
Test indicator	0035	Test indicator	n1	O	*	1 Interchange is a

Max. Occ. = Maximum Occurrence, St = Status, \* = Restricted Codes  
Status: M=Mandatory, R=Required, O=Optional, D=Dependent, A=Advised, N=Not used



## Segment Layout

Business Term	DE	EDIFACT	Format	St	*	Description
						test
<p>This segment is used to envelope the interchange, as well as to identify both, the party to whom the interchange is sent and the party who has sent the interchange.</p> <p>For international EDI the use of character set UNOA is recommended. For national (German) EDI the use of UNOC is reasonable because it contains lower case letters and umlauts.</p> <p>Note DE 0008: The address for reverse routing is provided by the interchange sender to inform the interchange recipient of the address within the sender's (source) system to which responding interchanges must be sent. It is recommended that the GLN be used for this purpose.</p> <p>Note DE 0014: The routing address is used to identify the receiver, if a provider adds service values for the actual receiver (e.g. consolidated companies, corporate group). The use of the identification system (e.g. GLN) has to be agreed bilaterally.</p> <p>Note DE 0020: This data element must contain a consistent sequential number per interchange between sender and receiver of the transmission.</p> <p>Note DE 0032: This data element is used to identify any underlying agreements which control the exchange of data. Within EANCOM , the identity of such agreements must start with the letters 'EANCOM', the remaining characters within the data element being filled according to bilateral agreements.</p> <p>Example: UNB+UNOC:3+4012345000009:14:4012345000018+4000004000002:14:4000004000099+101013:1043+4711+REF:AA+++EANCOM+1' The EANCOM file 4711 dated 13.10.2010, 10 h 43 is sent by the issuer identified with GLN 4012345000009 to the receiver identified with GLN 4000004000002.</p>						

Max. Occ. = Maximum Occurrence, St = Status, \* = Restricted Codes  
Status: M=Mandatory, R=Required, O=Optional, D=Dependent, A=Advised, N=Not used

## Segment Layout

Heading section

Heading section

No. Seg	St	Max. Occ.				
3	<b>UNH</b>	M 1	Message header To head, identify and specify a message.			
Business Term	DE	EDIFACT	Format	St	*	Description
Message reference number	0062	Message reference number	an..14	M		Sender's unique message reference. Sequence number of messages in the interchange. DE 0062 in UNT will have the same value. Generated by the sender.
	S009	Message identifier		M		
	0065	Message type	an..6	M	*	INVOIC Invoice message
	0052	Message version number	an..3	M	*	D Draft version/ UN/EDIFACT Directory
	0054	Message release number	an..3	M	*	01B Release 2001 - B
	0051	Controlling agency	an..2	M	*	UN UN/CEFACT
	0057	Association assigned code	an..6	R	*	EAN011 GS1 version control number (GS1 Permanent Code)

Segmentstatus: Mandatory

This segment is used to head, identify and specify a message.

IMPORTANT NOTE: THIS MESSAGE IS NO INVOICE IN TERMS OF THE GERMAN § 14 USTG. VAT AMOUNTS ARE SHOWN FOR INFORMATION PURPOSES ONLY!

Example: UNH+ME000001+INVOIC:D:01B:UN:EAN011'

The reference number of the invoice message is ME000001.

Max. Occ. = Maximum Occurrence, St = Status, \* = Restricted Codes  
Status: M=Mandatory, R=Required, O=Optional, D=Dependent, A=Advised, N=Not used

## Segment Layout

### Heading section

No. Seg	St	Max. Occ.				
4	<b>BGM</b>	M 1	Beginning of message To indicate the type and function of a message and to transmit the identifying number.			
Business Term	DE	EDIFACT	Format	St	*	Description
	C002	Document/message name		R		
	1001	Document name code	an..3	R	*	393 <b>Factored invoice</b>
	1131	Code list identification code	an..17	N		
	3055	Code list responsible agency code	an..3	N		
<b>Document qualification</b>	1000	Document name	an..35	O		
	C106	Document/message identification		R		
<b>Invoice register number</b>	1004	Document identifier	an..35	R		assigned by sender of the document
<b>Message function</b>	1225	Message function code	an..3	R	*	7 <b>Duplicate</b> 9 <b>Original</b>
<p>Segmentstatus: Mandatory</p> <p>This segment is used to indicate the type and function of a message and to transmit the identifying number.</p> <p>Notes to DE 1001: 393 = Invoice assigned to a third party for collection.</p> <p>This message with DE 1001 = 393 provides total amounts of an invoice register. If the file contains invoices with different VAT rates, one segment group 52 is generated per VAT rate, segment group 50 provides the total amounts. If the file contains only invoices with one tax rate, segment group 52 is left out.</p> <p>Note to DE 1000: This data element can have the following content by bilaterally agreement:</p> <p>PRESSE = Indication this is an invoice/credit note for press products</p> <p>Example: <b>BGM+393:::PRESSE+87441+9'</b> The document number is 87441. The document number is 87441.</p>						

Max. Occ. = Maximum Occurrence, St = Status, \* = Restricted Codes  
Status: M=Mandatory, R=Required, O=Optional, D=Dependent, A=Advised, N=Not used

## Segment Layout

### Heading section

No. Seg	St	Max. Occ.				
5	<b>DTM</b>	M 1	Date/time/period To specify date, and/or time, or period.			
Business Term	DE	EDIFACT	Format	St	*	Description
	C507	Date/time/period		M		
	2005	Date or time or period function code qualifier	an..3	M	*	137 Document/ message date/ time
Creation date	2380	Date or time or period value	an..35	R		
	2379	Date or time or period format code	an..3	R		102 CCYYMMDD
Segmentstatus: Mandatory						
Identification of the 'Document/message date/time' (code value 137) is mandatory in the message.						
Example: <b>DTM+137:20180425:102'</b> The message was created on 25.04.2018.						

Max. Occ. = Maximum Occurrence, St = Status, \* = Restricted Codes  
 Status: M=Mandatory, R=Required, O=Optional, D=Dependent, A=Advised, N=Not used

## Segment Layout

### Heading section

No. Seg	St	Max. Occ.				
6	<b>SG1</b>	O 1	RFF-DTM			
	<b>RFF</b>	M 1	Reference			
To specify a reference.						
Business Term	DE	EDIFACT	Format	St	*	Description
	C506	Reference		M		
	1153	Reference code qualifier	an..3	M	*	CT <b>Contract number</b>
<b>Agreement number</b>	1154	Reference identifier	an..70	R		
Segmentstatus: Optional						
This segment is used to reference the agreement, if more than one agreements exist.						
Example: RFF+CT:1'						
Invoice references to agreement no. 1.						

Max. Occ. = Maximum Occurrence, St = Status, \* = Restricted Codes  
 Status: M=Mandatory, R=Required, O=Optional, D=Dependent, A=Advised, N=Not used

## Segment Layout

### Heading section

No. Seg	St	Max. Occ.				
7	<b>SG2</b>	D 1	NAD-FII-SG3-SG5			
	<b>NAD</b>	M 1	Name and address			
To specify the name/address and their related function, either by C082 only and/or unstructured by C058 or structured by C080 thru 3207.						
Business Term	DE	EDIFACT	Format	St	*	Description
	3035	Party function code qualifier	an..3	M	*	CPE <b>Central payment service (GS1 Temporary Code)</b>
	C082	Party identification details		A		
<b>Identification of recipient of the invoice register (Central payment service provider)</b>	3039	Party identifier	an..35	M		Global Location Number (GLN) - Format n13
	1131	Code list identification code	an..17	N		
	3055	Code list responsible agency code	an..3	R	*	9 <b>GS1</b>
Segmentstatus: Depending, see note						
The recipient of the invoice register (Central payment service provider) is identified by his GLN.						
Note: If the recipient of the invoice register is no central payment service provider the use of the next NAD segment is mandatory.						
Example: <b>NAD+CPE+4071615111110: :9'</b>						
The recipient of the invoice register (Central payment service provider) is identified by GLN 4071615111110.						

Max. Occ. = Maximum Occurrence, St = Status, \* = Restricted Codes  
 Status: M=Mandatory, R=Required, O=Optional, D=Dependent, A=Advised, N=Not used

## Segment Layout

### Heading section

No. Seg	St	Max. Occ.				
<b>SG2</b>	D	1	NAD-FII-SG3-SG5			
<b>SG3</b>	O	9999	RFF			
<b>RFF</b>	M	1	Reference			
To specify a reference.						
Business Term	DE	EDIFACT	Format	St	*	Description
	C506	Reference		M		
	1153	Reference code qualifier	an..3	M	*	VA VAT registration number FC Fiscal number
Receivers (VA)Tax registration number	1154	Reference identifier	an..70	R		
Segmentstatus: Optional						
The RFF segment following the NAD segment can specify a (VA)Tax registration number.						
Example: RFF+VA:DE090909'						
The VAT registration number is DE090909.						

Max. Occ. = Maximum Occurrence, St = Status, \* = Restricted Codes  
 Status: M=Mandatory, R=Required, O=Optional, D=Dependent, A=Advised, N=Not used

## Segment Layout

### Heading section

No. Seg	St	Max. Occ.				
9			<b>SG2</b>	D	1	NAD-FII-SG3-SG5
			<b>NAD</b>	M	1	Name and address
To specify the name/address and their related function, either by C082 only and/or unstructured by C058 or structured by C080 thru 3207.						
Business Term	DE	EDIFACT	Format	St	*	Description
	3035	Party function code qualifier	an..3	M	*	BY Buyer
	C082	Party identification details		A		
Identification of receipt of the invoice register (buyer)	3039	Party identifier	an..35	M		Global Location Number (GLN) - Format n13
	1131	Code list identification code	an..17	N		
	3055	Code list responsible agency code	an..3	R	*	9 GS1
Segmentstatus: Depending, see note						
The receipt of the invoice register (buyer) is identified by his Global location number.						
Note: If the receipt of the invoice register is a central payment service provider the use of the previous NAD segment is mandatory.						
Example: NAD+BY+4071615111110: :9' alternatively: The receipt of the invoice register (buyer) is identified by GLN 4071615111110.						

Max. Occ. = Maximum Occurrence, St = Status, \* = Restricted Codes  
 Status: M=Mandatory, R=Required, O=Optional, D=Dependent, A=Advised, N=Not used



## Segment Layout

### Heading section

No. Seg	St	Max. Occ.				
<b>SG2</b>	D	1	NAD-FII-SG3-SG5			
<b>SG3</b>	O	9999	RFF			
10 <b>RFF</b>	M	1	Reference			
To specify a reference.						
Business Term	DE	EDIFACT	Format	St	*	Description
	C506	Reference		M		
	1153	Reference code qualifier	an..3	M	*	VA VAT registration number FC Fiscal number
Receivers (buyers) (VA)Tax registration number	1154	Reference identifier	an..70	R		
Segmentstatus: Optional						
The RFF segment following the NAD segment can specify a (VA)Tax registration number.						
Example: RFF+VA:DE090909'						
The VAT registration number is DE090909.						

Max. Occ. = Maximum Occurrence, St = Status, \* = Restricted Codes  
 Status: M=Mandatory, R=Required, O=Optional, D=Dependent, A=Advised, N=Not used

## Segment Layout

### Heading section

No. Seg	St	Max. Occ.				
11	<b>SG2</b>	R 1	NAD-FII-SG3-SG5			
	<b>NAD</b>	M 1	Name and address			
To specify the name/address and their related function, either by C082 only and/or unstructured by C058 or structured by C080 thru 3207.						
Business Term	DE	EDIFACT	Format	St	*	Description
	3035	Party function code qualifier	an..3	M	*	SU <b>Supplier</b>
	C082	Party identification details		A		
<b>Supplier/issuer of invoice identification</b>	3039	Party identifier	an..35	M		Global Location Number GLN - Format n13
	1131	Code list identification code	an..17	N		
	3055	Code list responsible agency code	an..3	R	*	9 <b>GS1</b>
	C058	Name and address		O		This composite may only be used to fulfill the requirements of directive 2003/58/EG, article 4. If applicable the message sender gets the possibility to give the relevant statements at this place. If C058 ist not sufficient, more declaration can be given in following RFF+GN... segments.
	3124	Name and address description	an..35	M		
	3124	Name and address description	an..35	O		
	3124	Name and address description	an..35	O		
	3124	Name and address description	an..35	O		
	3124	Name and address description	an..35	O		
Segmentstatus: Mandatory						
The supplier/issuer of invoice is identified by GLN.						
Example: NAD+SU+4389876511113::9+ABC123:X:X:X:X'						
The supplier/issuer of invoice is identified by GLN 4389876511113.						

Max. Occ. = Maximum Occurrence, St = Status, \* = Restricted Codes  
 Status: M=Mandatory, R=Required, O=Optional, D=Dependent, A=Advised, N=Not used

## Segment Layout

### Heading section

No. Seg	St	Max. Occ.				
<b>SG2</b>	R	1	NAD-FII-SG3-SG5			
<b>SG3</b>	D	9999	RFF			
12 <b>RFF</b>	M	1	Reference			
To specify a reference.						
Business Term	DE	EDIFACT	Format	St	*	Description
	C506	Reference		M		
	1153	Reference code qualifier	an..3	M	*	GN <b>Government reference number</b>
<b>Statements on business letters</b>	1154	Reference identifier	an..70	R		
Segmentstatus: Depending						
This RFF segment may only be used if the preceeding NAD has not enough space to fulfill the requirements of directive 2003/58/EG, article 4.						
Example: RFF+GN:HRB-471111'						
German statements on business letters: HRB-471111						

Max. Occ. = Maximum Occurrence, St = Status, \* = Restricted Codes  
 Status: M=Mandatory, R=Required, O=Optional, D=Dependent, A=Advised, N=Not used

## Segment Layout

### Heading section

No.	Seg	St	Max. Occ.	
13	<b>SG2</b>	R	1	NAD-FII-SG3-SG5
	<b>SG3</b>	O	9999	RFF
	<b>RFF</b>	M	1	Reference

To specify a reference.

Business Term	DE	EDIFACT	Format	St	*	Description
	C506	Reference		M		
	1153	Reference code qualifier	an..3	M	*	YC1 Additional party identification (GS1 Temporary Code)
Suppliers additional identification	1154	Reference identifier	an..70	R		

Segmentstatus: Optional

The RFF segment following the NAD segment can specify an agreed additional identification.

If no functional or organisational differences are necessary within one company only the GLN is used for communication purposes, if applicable the receiver links within the inhouse system. Additional identifications should be agreed only in those cases when different functional entities need to be distinguished at one location.

Example: RFF+YC1:0817'

The additional identification is 0817.

Max. Occ. = Maximum Occurrence, St = Status, \* = Restricted Codes  
 Status: M=Mandatory, R=Required, O=Optional, D=Dependent, A=Advised, N=Not used

## Segment Layout

### Heading section

No. Seg	St	Max. Occ.				
14	<b>SG2</b>	R 1	NAD-FII-SG3-SG5			
	<b>SG3</b>	D 9999	RFF			
	<b>RFF</b>	M 1	Reference			
To specify a reference.						
Business Term	DE	EDIFACT	Format	St	*	Description
	C506	Reference		M		
	1153	Reference code qualifier	an..3	M	*	VA VAT registration number
Supplier/issuer of invoice VAT registration number	1154	Reference identifier	an..70	R		
<p>Segmentstatus: Depending, either VAT registration number or fiscal tax number are mandatory in Germany.</p> <p>The RFF segment following the NAD segment must specify the tax number.</p> <p>Example: RFF+VA:DE101010' The VAT registration number is DE101010.</p>						

Max. Occ. = Maximum Occurrence, St = Status, \* = Restricted Codes  
 Status: M=Mandatory, R=Required, O=Optional, D=Dependent, A=Advised, N=Not used

## Segment Layout

### Heading section

No. Seg	St	Max. Occ.				
<b>SG2</b>	R	1	NAD-FII-SG3-SG5			
<b>SG3</b>	D	9999	RFF			
15 <b>RFF</b>	M	1	Reference			
To specify a reference.						
Business Term	DE	EDIFACT	Format	St	*	Description
	C506	Reference		M		
	1153	Reference code qualifier	an..3	M	*	FC <b>Fiscal number</b>
<b>Supplier/issuer of invoice tax fiscal number</b>	1154	Reference identifier	an..70	R		
<p>Segmentstatus: Depending, either VAT registration number or fiscal tax number are mandatory in Germany.</p> <p>The RFF segment following the NAD segment must specify the tax number.</p> <p>Example: RFF+FC:07/408/1234/5' The fiscal tax number is 07/408/1234/5.</p>						

Max. Occ. = Maximum Occurrence, St = Status, \* = Restricted Codes  
 Status: M=Mandatory, R=Required, O=Optional, D=Dependent, A=Advised, N=Not used

## Segment Layout

### Heading section

No. Seg	St	Max. Occ.				
16	<b>SG2</b>	O 1	NAD-FII-SG3-SG5			
	<b>NAD</b>	M 1	Name and address			
To specify the name/address and their related function, either by C082 only and/or unstructured by C058 or structured by C080 thru 3207.						
Business Term	DE	EDIFACT	Format	St	*	Description
Obligated payer	3035	Party function code qualifier	an..3	M	*	PR Payer
	C082	Party identification details		A		
Identification of obligated payer	3039	Party identifier	an..35	M		Global Location Number GLN - Format n13
	1131	Code list identification code	an..17	N		
	3055	Code list responsible agency code	an..3	R	*	9 GS1
Segmentstatus: Optional						
The obligated payer is identified by Global location number.						
Example: NAD+PR+4389876511893::9'						
The obligated payer is identified by GLN 4389876511893.						

Max. Occ. = Maximum Occurrence, St = Status, \* = Restricted Codes  
 Status: M=Mandatory, R=Required, O=Optional, D=Dependent, A=Advised, N=Not used

## Segment Layout

### Heading section

No. Seg	St	Max. Occ.				
17	<b>SG2</b>	O 1	NAD-FII-SG3-SG5			
	<b>NAD</b>	M 1	Name and address To specify the name/address and their related function, either by C082 only and/or unstructured by C058 or structured by C080 thru 3207.			
Business Term	DE	EDIFACT	Format	St	*	Description
	3035	Party function code qualifier	an..3	M	*	PE Payee
	C082	Party identification details		A		
Payees identification	3039	Party identifier	an..35	M		Global Location Number GLN - Format n13
	1131	Code list identification code	an..17	N		
	3055	Code list responsible agency code	an..3	R	*	9 GS1
Segmentstatus: Optional						
The payee is identified by GLN if not identical with supplier/issuer of invoice.						
Example: NAD+PE+4000001000001::9'						
The payee is identified by GLN 4000001000001.						

Max. Occ. = Maximum Occurrence, St = Status, \* = Restricted Codes  
 Status: M=Mandatory, R=Required, O=Optional, D=Dependent, A=Advised, N=Not used



## Segment Layout

### Heading section

No. Seg	St	Max. Occ.				
18	<b>SG6</b>	R 1	TAX-MOA			
	<b>TAX</b>	M 1	Duty/tax/fee details			
To specify relevant duty/tax/fee information.						
Business Term	DE	EDIFACT	Format	St	*	Description
	5283	Duty or tax or fee function code qualifier	an..3	M	*	7 Tax
	C241	Duty/tax/fee type		D		
Value added tax on document level	5153	Duty or tax or fee type name code	an..3	O	*	VAT Value added tax
	1131	Code list identification code	an..17	O		
	3055	Code list responsible agency code	an..3	D		
	5152	Duty or tax or fee type name	an..35	O		
	C533	Duty/tax/fee account detail		O		
	5289	Duty or tax or fee account code	an..6	M		
	1131	Code list identification code	an..17	O		
	3055	Code list responsible agency code	an..3	D		
	5286	Duty or tax or fee assessment basis value	an..15	O		
	C243	Duty/tax/fee detail		A		
	5279	Duty or tax or fee rate code	an..7	O		
	1131	Code list identification code	an..17	O		
	3055	Code list responsible agency code	an..3	D		
	5278	Duty or tax or fee rate	an..17	R		Actual tax rate
	5273	Duty or tax or fee rate basis code	an..12	O		
	1131	Code list identification code	an..17	O		
	3055	Code list responsible agency code	an..3	D		
	5305	Duty or tax or fee category code	an..3	R		E Exempt from tax S Standard rate O Services outside scope of tax

Segmentstatus: Mandatory

The main tax rate is indicated here in the heading section of the message. Should the occasion arise different tax rates are indicated in the summary section.

Note to DE 5278 and 5305: if the business volume is free of tax, DE 5278 must contain 0 (zero).

Max. Occ. = Maximum Occurrence, St = Status, \* = Restricted Codes

Status: M=Mandatory, R=Required, O=Optional, D=Dependent, A=Advised, N=Not used

## Segment Layout

---

### Heading section

Example: TAX+7+VAT+ABC123++:::19+S'

The dominant tax rate of the document is 19%.

Max. Occ. = Maximum Occurrence, St = Status, \* = Restricted Codes  
Status: M=Mandatory, R=Required, O=Optional, D=Dependent, A=Advised, N=Not used

## Segment Layout

### Heading section

No. Seg	St	Max. Occ.				
19	<b>SG7</b>	R 1	CUX-DTM			
	<b>CUX</b>	M 1	Currencies			
To specify currencies used in the transaction and relevant details for the rate of exchange.						
Business Term	DE	EDIFACT	Format	St	*	Description
	C504	Currency details		R		
	6347	Currency usage code qualifier	an..3	M	*	2 Reference currency
Currency	6345	Currency identification code	an..3	R		ISO 4217 three alpha
	6343	Currency type code qualifier	an..3	R	*	4 Invoicing currency
	C504	Currency details		D		
	6347	Currency usage code qualifier	an..3	M	*	3 Target currency
	6345	Currency identification code	an..3	R		ISO 4217 three alpha
	6343	Currency type code qualifier	an..3	R	*	11 Payment currency
	6348	Currency rate value	n..4	O		
Rate of exchange	5402	Currency exchange rate	n..12	D		
Segmentstatus: Mandatory						
Indication of currency is mandatory.						
When specifying Reference and Target Currencies for international trade, one occurrence of CUX is all that is required. The reference currency is identified in the first occurrence of composite C504, with the target currency specified in the second occurrence of C504. The rate of exchange between the two is detailed in DE 5402.						
Example: CUX+2:EUR:4+3:USD:11+0.90243'						
The document has been invoiced in EURO.						

Max. Occ. = Maximum Occurrence, St = Status, \* = Restricted Codes  
 Status: M=Mandatory, R=Required, O=Optional, D=Dependent, A=Advised, N=Not used

## Segment Layout

### Heading section

No. Seg	St	Max. Occ.				
20	<b>SG8</b>	O 1	PAT-DTM-PCD-MOA-PAI-FII			
	<b>PAT</b>	M 1	Payment terms basis To specify the payment terms basis.			
Notes:						
1. This segment will be removed effective with directory D.02B.						
Business Term	DE	EDIFACT	Format	St	*	Description
Payment terms 1	4279	Payment terms type code qualifier	an..3	M	*	3 Fixed date
Segmentstatus: Optional						
This segment group PAT-DTM is used to indicate terms net due date without deduction.						
Example: PAT+3'						
Due date:						

Max. Occ. = Maximum Occurrence, St = Status, \* = Restricted Codes  
 Status: M=Mandatory, R=Required, O=Optional, D=Dependent, A=Advised, N=Not used

## Segment Layout

### Heading section

No. Seg	St	Max. Occ.				
21	<b>SG8</b>	O 1	PAT-DTM-PCD-MOA-PAI-FII			
	<b>DTM</b>	O 5	Date/time/period			
To specify date, and/or time, or period.						
Business Term	DE	EDIFACT	Format	St	*	Description
	C507	Date/time/period		M		
	2005	Date or time or period function code qualifier	an..3	M	*	13 <b>Terms net due date</b>
<b>Due date without deduction</b>	2380	Date or time or period value	an..35	R		
	2379	Date or time or period format code	an..3	R		102 CCYYMMDD
Segmentstatus: Optional						
This segment is used to specify any dates associated with the payment terms for the invoice.						
DE 2005 = 13, Due date when settlement is without deduction, e.g. when direct debit is agreed. (Due date is to be understood as the entry date of direct debit at the first bank)						
Example: DTM+13:20180315:102'						
Invoice is due on 15.03.2018						

Max. Occ. = Maximum Occurrence, St = Status, \* = Restricted Codes  
 Status: M=Mandatory, R=Required, O=Optional, D=Dependent, A=Advised, N=Not used

## Segment Layout

### Heading section

No. Seg	St	Max. Occ.				
22	<b>SG8</b>	O 1	PAT-DTM-PCD-MOA-PAI-FII			
	<b>PAT</b>	M 1	Payment terms basis			
			To specify the payment terms basis.			
			Notes:			
			1. This segment will be removed effective with directory D.02B.			
Business Term	DE	EDIFACT	Format	St	*	Description
Payment date	4279	Payment terms type code qualifier	an..3	M	*	3 Fixed date
Segmentstatus: Optional						
This segment group is used to provide the payment date.						
Example: PAT+3'						
Payment terms:						

Max. Occ. = Maximum Occurrence, St = Status, \* = Restricted Codes  
 Status: M=Mandatory, R=Required, O=Optional, D=Dependent, A=Advised, N=Not used

## Segment Layout

### Heading section

No. Seg	St	Max. Occ.				
23	<b>SG8</b>	O 1	PAT-DTM-PCD-MOA-PAI-FII			
	<b>DTM</b>	O 5	Date/time/period To specify date, and/or time, or period.			
Business Term	DE	EDIFACT	Format	St	*	Description
	C507	Date/time/period		M		
	2005	Date or time or period function code qualifier	an..3	M	*	12 Terms discount due date/time 209 Value date
Due date Value date	2380	Date or time or period value	an..35	R		
	2379	Date or time or period format code	an..3	R		102 CCYYMMDD
Segmentstatus: Optional						
Example: DTM+12:20190412:102' Terms discount due date is 12.04.2019						

Max. Occ. = Maximum Occurrence, St = Status, \* = Restricted Codes  
 Status: M=Mandatory, R=Required, O=Optional, D=Dependent, A=Advised, N=Not used

## Segment Layout

Summary section  
Summary section

No. Seg	St	Max. Occ.				
24	<b>UNS</b>	M 1	Section control			
To separate header, detail and summary sections of a message.						
Notes:						
1. To be used by message designers when required to avoid ambiguities. Mandatory only if specified for the type of message concerned.						
Business Term	DE	EDIFACT	Format	St	*	Description
	0081	Section identification	a1	M	*	S Detail/summary section separation
Segmentstatus: Mandatory						
This segment is used to identify the break between the message detail and message trailer sections.						
Example: UNS+S'						
Separation of detail- and summary section						

Max. Occ. = Maximum Occurrence, St = Status, \* = Restricted Codes  
Status: M=Mandatory, R=Required, O=Optional, D=Dependent, A=Advised, N=Not used



## Segment Layout

### Summary section (totals)

No. Seg	St	Max. Occ.				
25	<b>SG50</b>	M 1	MOA-SG51			
	<b>MOA</b>	M 1	Monetary amount			
To specify a monetary amount.						
Business Term	DE	EDIFACT	Format	St	*	Description
	C516	Monetary amount		M		
	5025	Monetary amount type code qualifier	an..3	M	*	86 Message total monetary amount
Total amount of the invoice register	5004	Monetary amount	n..35	R		
Segmentstatus: Mandatory						
This MOA segment provides the total amount of the invoice register.						
Note on DE 5004: >>>> The amount must be provided with the correct sign <<<<<						
Concerning "significant zeroes" see section "Introduction".						
Example: MOA+86:121.99'						
The total amount of the invoice register is 121.99 EURO.						

Max. Occ. = Maximum Occurrence, St = Status, \* = Restricted Codes

Status: M=Mandatory, R=Required, O=Optional, D=Dependent, A=Advised, N=Not used

## Segment Layout

### Summary section (totals)

No. Seg	St	Max. Occ.				
26	<b>SG50</b>	M 1	MOA-SG51			
	<b>MOA</b>	M 1	Monetary amount To specify a monetary amount.			
Business Term	DE	EDIFACT	Format	St	*	Description
	C516	Monetary amount		M		
	5025	Monetary amount type code qualifier	an..3	M	*	9 Amount due/ amount payable
Payable amount of invoice register	5004	Monetary amount	n..35	R		
<p>Segmentstatus: Mandatory</p> <p>This MOA segment provides the amount payable.                      Note on DE 5004: &gt;&gt;&gt;&gt; The amount must be provided with the correct sign &lt;&lt;&lt;&lt;&lt;</p> <p>Concerning "significant zeroes" see section "Introduction".</p> <p>Example: MOA+9:121.99'                      The amount payable is 121.99 EURO.</p>						

Max. Occ. = Maximum Occurrence, St = Status, \* = Restricted Codes  
 Status: M=Mandatory, R=Required, O=Optional, D=Dependent, A=Advised, N=Not used

## Segment Layout

### Summary section (totals)

No.	Seg	St	Max.	Occ.		
	<b>SG50</b>	M	1		MOA-SG51	
27	<b>MOA</b>	M	1		Monetary amount	
To specify a monetary amount.						
Business Term	DE	EDIFACT	Format	St	*	Description
	C516	Monetary amount		M		
	5025	Monetary amount type code qualifier	an..3	M	*	124 Tax amount
Total tax amount of invoice register	5004	Monetary amount	n..35	R		
Segmentstatus: Mandatory						
This MOA segment provides the total tax amount of the invoice register.						
Note on DE 5004: >>>> The amount must be provided with the correct sign <<<<<						
Concerning "significant zeroes" see section "Introduction".						
Example: MOA+124:16.83'						
The invoice register total VAT amount is 16.83 EURO.						

Max. Occ. = Maximum Occurrence, St = Status, \* = Restricted Codes  
 Status: M=Mandatory, R=Required, O=Optional, D=Dependent, A=Advised, N=Not used

## Segment Layout

### Summary section (totals)

No. Seg	St	Max. Occ.				
28	<b>SG50</b>	M 1	MOA-SG51			
	<b>MOA</b>	M 1	Monetary amount To specify a monetary amount.			
Business Term	DE	EDIFACT	Format	St	*	Description
	C516	Monetary amount		M		
	5025	Monetary amount type code qualifier	an..3	M	*	125 Taxable amount
Taxable amount of invoice register	5004	Monetary amount	n..35	R		
<p>Segmentstatus: Mandatory</p> <p>This MOA segment provides the invoice register taxable amount.                      Note on DE 5004: &gt;&gt;&gt;&gt; The amount must be provided with the correct sign &lt;&lt;&lt;&lt;&lt;</p> <p>Concerning "significant zeroes" see section "Introduction".</p> <p>Example: MOA+125:105.16'                      The taxable amount is 105.16 EURO.</p>						

Max. Occ. = Maximum Occurrence, St = Status, \* = Restricted Codes  
 Status: M=Mandatory, R=Required, O=Optional, D=Dependent, A=Advised, N=Not used

## Segment Layout

### Summary section (per VAT rate)

No. Seg	St	Max. Occ.				
29	<b>SG52</b>	D 10	TAX-MOA			
	<b>TAX</b>	M 1	Duty/tax/fee details			
To specify relevant duty/tax/fee information.						
Business Term	DE	EDIFACT	Format	St	*	Description
	5283	Duty or tax or fee function code qualifier	an..3	M	*	7 Tax
	C241	Duty/tax/fee type		D		
Tax per invoice register amount	5153	Duty or tax or fee type name code	an..3	O	*	VAT Value added tax
	1131	Code list identification code	an..17	O		
	3055	Code list responsible agency code	an..3	D		
	5152	Duty or tax or fee type name	an..35	O		
	C533	Duty/tax/fee account detail		O		
	5289	Duty or tax or fee account code	an..6	M		
	1131	Code list identification code	an..17	O		
	3055	Code list responsible agency code	an..3	D		
	5286	Duty or tax or fee assessment basis value	an..15	O		
	C243	Duty/tax/fee detail		A		
	5279	Duty or tax or fee rate code	an..7	O		
	1131	Code list identification code	an..17	O		
	3055	Code list responsible agency code	an..3	D		
	5278	Duty or tax or fee rate	an..17	R		Actual tax rate
	5273	Duty or tax or fee rate basis code	an..12	O		
	1131	Code list identification code	an..17	O		
	3055	Code list responsible agency code	an..3	D		
	5305	Duty or tax or fee category code	an..3	R		E Exempt from tax S Standard rate O Services outside scope of tax
Segmentgroup status: Depending, i.e. this SG is only used if the invoice register contains more than one tax rate.						
Note to DE 5278 and 5305: if the business volume is free of tax, DE 5278 must contain 0 (zero).						
If the invoice register contains more than one tax rate, this segment group 52 has to be made up						

Max. Occ. = Maximum Occurrence, St = Status, \* = Restricted Codes

Status: M=Mandatory, R=Required, O=Optional, D=Dependent, A=Advised, N=Not used

## Segment Layout

---

### Summary section (per VAT rate)

for every existent tax rate, i.e. if only one tax rate is used, this segment group is LEFT OUT.

Example: TAX+7+VAT+ABC123++:::19+S'

The amounts based on a tax rate of 19% are:

Max. Occ. = Maximum Occurrence, St = Status, \* = Restricted Codes

Status: M=Mandatory, R=Required, O=Optional, D=Dependent, A=Advised, N=Not used

## Segment Layout

### Summary section (per VAT rate)

No.	Seg	St	Max.	Occ.		
30	<b>SG52</b>	D	10		TAX-MOA	
	<b>MOA</b>	R	9		Monetary amount	
To specify a monetary amount.						
Business Term	DE	EDIFACT	Format	St	*	Description
	C516	Monetary amount		M		
	5025	Monetary amount type code qualifier	an..3	M	*	124 Tax amount
Tax amount per tax rate	5004	Monetary amount	n..35	R		
Segmentstatus: Mandatory						
This MOA segment provides the tax amount.						
Note on DE 5004: >>>> The amount must be provided with the correct sign <<<<< Concerning "significant zeroes" see section "Introduction".						
Example: MOA+124:16.83' The VAT amount is 16.83 EURO.						

Max. Occ. = Maximum Occurrence, St = Status, \* = Restricted Codes  
Status: M=Mandatory, R=Required, O=Optional, D=Dependent, A=Advised, N=Not used

## Segment Layout

### Summary section (per VAT rate)

No. Seg	St	Max. Occ.				
31	<b>SG52</b>	D 10	TAX-MOA			
	<b>MOA</b>	R 9	Monetary amount			
To specify a monetary amount.						
Business Term	DE	EDIFACT	Format	St	*	Description
	C516	Monetary amount		M		
	5025	Monetary amount type code qualifier	an..3	M	*	125 Taxable amount
Invoice register taxable amount per VAT rate	5004	Monetary amount	n..35	R		
Segmentstatus: Mandatory						
This MOA segment provides the invoice register taxable amount/tax rate.						
Note on DE 5004: >>>> The amount must be provided with the correct sign <<<<<						
Concerning "significant zeroes" see section "Introduction".						
Example: MOA+125:105.16'						
The taxable amount/VAT rate is 105,16 EURO						

Max. Occ. = Maximum Occurrence, St = Status, \* = Restricted Codes  
 Status: M=Mandatory, R=Required, O=Optional, D=Dependent, A=Advised, N=Not used



## Segment Layout

### Summary section (per VAT rate)

No.	Seg	St	Max.	Occ.		
32	<b>SG52</b>	D	10		TAX-MOA	
	<b>MOA</b>	R	9		Monetary amount	
To specify a monetary amount.						
Business Term	DE	EDIFACT	Format	St	*	Description
	C516	Monetary amount		M		
	5025	Monetary amount type code qualifier	an..3	M	*	86 Message total monetary amount
Total amount of the invoice register per VAT rate	5004	Monetary amount	n..35	R		
Segmentstatus: Mandatory						
This MOA segment provides the total amount of the invoice register per VAT rate.						
Note on DE 5004: >>>> The amount must be provided with the correct sign <<<<<						
Concerning "significant zeroes" see section "Introduction".						
Example: MOA+86:121.99'						
The total amount of the invoice register (19% VAT) is 121.99 EURO.						

Max. Occ. = Maximum Occurrence, St = Status, \* = Restricted Codes  
 Status: M=Mandatory, R=Required, O=Optional, D=Dependent, A=Advised, N=Not used

## Segment Layout

### End of the message

No. Seg	St	Max. Occ.				
33	<b>UNT</b>	M 1	Message trailer To end and check the completeness of a message.			
Business Term	DE	EDIFACT	Format	St	*	Description
Total number of segments	0074	Number of segments in the message	n..6	M		
	0062	Message reference number	an..14	M		The message reference numbered detailed here should equal the one specified in the UNH segment
Segmentstatus: Mandatory						
This segment is a mandatory UN/EDIFACT segment. It must always be the last segment in the message.						
Example: UNT+34+ME000001' Number of segments in the message.						

Max. Occ. = Maximum Occurrence, St = Status, \* = Restricted Codes  
 Status: M=Mandatory, R=Required, O=Optional, D=Dependent, A=Advised, N=Not used

## Segment Layout

No. Seg	St	Max. Occ.				
34	<b>UNZ</b>	M 1	Interchange trailer To end and check the completeness of an interchange.			
Business Term	DE	EDIFACT	Format	St	*	Description
End of the transmission file, Number of messages or message groups	0036	Interchange control count	n..6	M		Number of messages or message groups in the transmission file.
Interchange control reference, end	0020	Interchange control reference	an..14	M		Interchange control reference, identical with UNB DE 0020.
<p>The UNZ segment is the last segment of the transmission file.</p> <p>Note DE 0036: If functional groups are not used, this is the number of messages within the interchange.</p> <p>Example: UNZ+1+4711' The transmission file contains 1 message.</p>						

Max. Occ. = Maximum Occurrence, St = Status, \* = Restricted Codes  
 Status: M=Mandatory, R=Required, O=Optional, D=Dependent, A=Advised, N=Not used

## Used Codes

---

<b>0001</b>	<p>Syntax identifier Coded identification of the agency controlling a syntax and syntax level used in an interchange.</p> <p>Notes: 1. a3, upper case, Controlling Agency (e.g. UNO=UN/ECE) and a1 stating level (e.g. A) (which together give UNOA).</p>
UNOA	<p>UN/ECE level A As defined in the basic code table of ISO 646 with the exceptions of lower case letters, alternative graphic character allocations and national or application-oriented graphic character allocations.</p>
UNOB	<p>UN/ECE level B As defined in the basic code table of ISO 646 with the exceptions of alternative graphic character allocations and national or application-oriented graphic character allocations.</p>
UNOC	<p>UN/ECE level C As defined in ISO/IEC 8859-1 : Information technology - Part 1: Latin alphabet No. 1.</p>
UNOD	<p>UN/ECE level D As defined in ISO/IEC 8859-2 : Information technology - Part 2: Latin alphabet No. 2.</p>
UNOE	<p>UN/ECE level E As defined in ISO/IEC 8859-5 : Information technology - Part 5: Latin/Cyrillic alphabet.</p>
UNOF	<p>UN/ECE level F As defined in ISO 8859-7 : Information processing - Part 7: Latin/Greek alphabet.</p>
<b>0002</b>	<p>Syntax version number Version number of the syntax identified in the syntax identifier (0001)</p> <p>Notes: 1. Increments 1 for each version.</p>
3	<p>Version 3 ISO 9735 Amendment 1:1992. GS1 Description: Syntax version number 3. This code can be used with all of the character sets (A, B, C, D, E and F).</p>

## Used Codes

---

<b>0007</b>	Partner identification code qualifier Qualifier referring to the source of codes for the identifiers of interchanging partners.
	Notes: 1. Used with sender/recipient identification code.
14	GS1 Partner identification code assigned by GS1, an international organization of GS1 Member Organizations that manages the GS1 System.
<b>0025</b>	Recipient's reference/password qualifier Qualifier for the recipient's reference or password.
	Notes: 1. If specified in IA.
AA	Reference Recipient's reference/password is a reference.
BB	Password Recipient's reference/password is a password.
<b>0029</b>	Processing priority code Code determined by the sender requesting processing priority for the interchange.
	Notes: 1. Used if specified in IA.
A	Highest priority Requested processing priority is the highest.
<b>0031</b>	Acknowledgement request Code determined by the sender for acknowledgement of the interchange.
	Notes: 1. Set = 1 if sender requests acknowledgement, i.e. UNB and UNZ segments received and identified.
1	Requested Acknowledgement is requested.
<b>0035</b>	Test indicator Indication that the interchange is a test.
	Notes: 1. Set = 1 if the interchange is a test. Otherwise not used.

## Used Codes

---

1	Interchange is a test Indicates that the interchange is a test.
<b>0051</b>	Controlling agency Code to identify the agency controlling the specification, maintenance and publication of the message type.
UN	UN/CEFACT United Nations Centre for Trade Facilitation and Electronic Business (UN/CEFACT). GS1 Description: UN Economic Commission for Europe (UN/ECE), Committee on the development of trade (TRADE), Working Party on facilitation of international trade procedures (WP.4).
<b>0052</b>	Message version number Version number of a message type.  Notes: 1. If UNG/UNE is used, shall be identical in UNG and UNE. The representation of 0052 was specified as n..3 in version 1 of ISO 9735.
D	Draft version/UN/EDIFACT Directory Message approved and issued as a draft message (Valid for directories published after March 1993 and prior to March 1997). Message approved as a standard message (Valid for directories published after March 1997).
<b>0054</b>	Message release number Release number within the current message type version number (0052).  Notes: 1. The representation of 0054 was specified as n..3 in version 1 of ISO 9735.
01B	Release 2001 - B Message approved and issued in the second 2001 release of the UNTDID (United Nations Trade Data Interchange Directory).
<b>0057</b>	Association assigned code A code assigned by the association responsible for the design and maintenance of the message type concerned, which further identifies the message.
EAN011	GS1 version control number (GS1 Permanent Code) Indicates that the message is an EANCOM message in version 011.
<b>0065</b>	Message type Code identifying a type of message and assigned by its controlling agency.  Notes: 1. Type of message being transmitted.

## Used Codes

---

INVOIC	<p>Invoice message A code to identify the invoice message. GS1 Description: Message claiming payment for goods or services supplied under conditions agreed between the seller and the buyer. The UNSM invoice message, with correct data qualification, serves also as the specification for debit note and credit note messages.</p>
<b>0081</b>	<p>Section identification Separates sections in a message.</p>
S	<p>Detail/summary section separation To qualify the segment UNS, when separating the detail from the summary section of a message.</p>
<b>1001</b>	<p>Document name code Code specifying the document name.</p>
393	<p>Factored invoice Invoice assigned to a third party for collection.</p>
<b>1131</b>	<p>Code list identification code Code identifying a user or association maintained code list.</p> <p>Notes: 1. The codes for this data element are provided by the code list responsible agency defined in data element 3055.</p>
23	<p>Clearing house automated payment Self explanatory.</p> <p>Notes: This code value will be removed effective with directory D.04A. GS1 Description: Banking community' automated payment clearing system.</p>
25	<p>Bank identification Code for identification of banks.</p> <p>Notes: This code value will be removed effective with directory D.04A.</p>
106	<p>Incoterms 1980 (4110) Code to indicate applicable Incoterm (1980 edition) under which seller undertakes to deliver merchandise to buyer (ICC). Incoterms 1990: use 4053 only.</p> <p>Notes: This code value will be removed effective with directory D.04A.</p>

**Used Codes**

132	Charge Identification of a type of charge.  Notes: This code value will be removed effective with directory D.04A.
154	Bank branch sorting identification Identification of a specific branch of a bank.  Notes: This code value will be removed effective with directory D.04A.
157	Clearing code Identification of the responsible bank/clearing house which has cleared or is ordered to do the clearing.  Notes: This code value will be removed effective with directory D.04A.
166	Social security identification Code assigned by the authority competent to issue social security identification to identify a person.  Notes: This code value will be removed effective with directory D.04A.
174	Citizen identification Self explanatory.  Notes: This code value will be removed effective with directory D.04A. GS1 Description: Code issued by national authority competent to issue citizen identification to identify a person.
1E	Incoterms 1990 (GS1 Temporary Code) Incoterms 1990 as published by the International Chamber of Commerce (ICC).
2E	Incoterms 2000 (GS1 Temporary Code) Incoterms 2000 as published by the International Chamber of Commerce (ICC).
3E	Incoterms 2010 (GS1 Temporary Code) Incoterms 2010 as published by the International Chamber of Commerce (ICC).
ADR	Accord Europeen au transport international dangereuses (GS1 Temporary Code) A European agreement concerning the international carriage of dangerous goods by road.



## Used Codes

---

BR	Brand (GS1 Temporary Code) An identifying mark or label on the products of a particular company, or the kind or make of a commodity.
CA	Category (GS1 Temporary Code) A class or division in a scheme of classification.
CO	Colour (GS1 Temporary Code) Description of the colour required/available on the goods.
FL	Flavor (GS1 Temporary Code) The characteristic quality of goods.
HMT	Hazardous material standard text (GS1 Temporary Code) Code indicating agreed standard text on hazardous materials.
LOC	Location Code (GS1 Temporary Code) This is a code to indicate where the EAS tag is located on the Trade Item. Values include On outside of Trade Item, Concealed inside Trade Item, Integrated Inside Trade Item.
OAG	Organic Claim Agency (GS1 Temporary Code) A governing body that creates and maintain standards related to organic products.
OCO	Organic Trade Item Code (GS1 Temporary Code) Used to indicate the organic status of a trade item or of one or more of its components.
OUM	Ordering unit of measure (GS1 Temporary Code) The alternate Unit of Measure of how Trade Items are ordered by the Retailer under one Unit of Measure, but sold under another Unit of Measure.
SKB	SKRS recommendation (GS1 Temporary Code) SKRS recommendation for standard clothes hanger.
SRN	Service relation number (GS1 Temporary Code) A number used to identify a database entry which records recurring services, e.g., treatment of a patient in a hospital, usage by a member of a library facilities, etc.
ST	Style (GS1 Temporary Code) Specific or characteristic design in any goods.
SUM	Selling unit of measure (GS1 Temporary Code) Describes the measurement used for selling unit of the Trade Item to the end consumer.
SZ	Size (GS1 Temporary Code) Any of a series of graded classifications of measure into which goods are divided.

## Used Codes

---

SZG	<p>Size Group (GS1 Temporary Code)</p> <p>A description of the variable size that is necessary to uniquely specify the size of the item in conjunction with the nonpackaged size dimension.</p>
TYP	<p>Type Code (GS1 Temporary Code)</p> <p>This is a code to indicate the type of EAS tag located on the Trade Item. Values include Acousto-Magnetic, Electro-Magnetic, Ink or dye, Microwave, Radio Frequency.</p>
X11	<p>Diet Allergen (GS1 Temporary Code)</p> <p>Indication of which dietary or allergen marks that are on the package.</p>
X12	<p>Environment (GS1 Temporary Code)</p> <p>Indication of which environmental marks (e.g. recycling schemes) that are on trade item package.</p>
X13	<p>Ethical (GS1 Temporary Code)</p> <p>Indication of which ethical trading marks that are on the package.</p>
X14	<p>Free Form (GS1 Temporary Code)</p> <p>Indication of which free-from marks that are on the package.</p>
X15	<p>Expiration date (GS1 Temporary Code)</p> <p>Indicates the type of expiration date marked on the packaging.</p>
X16	<p>Nesting Direction (GS1 Temporary Code)</p> <p>Depicts the arrangement of two items that nest together specifically whether they nest against each other or on top of each other.</p>
X17	<p>Package Marks Hygienic (GS1 Temporary Code)</p> <p>Indication of which hygiene markings are present in the product package</p>
X18	<p>Hazardous Components are Removable (GS1 Temporary Code)</p> <p>An indicator if any hazardous components contained within the trade item can easily be separated from the other materials to facilitate product recycling.</p>
X19	<p>Trade Item Has Refuse Obligations (GS1 Temporary Code)</p> <p>Indicates if there are special disposal obligations that apply to the trade item for example INTRASTAT.</p>
X20	<p>Trade Item Is Designed for Easy Disassembly (GS1 Temporary Code)</p> <p>Indicates that the trade item is designed for easy disassembly by recycling facilities using standard industry tools.</p>
X21	<p>Trade Item Is Rigid Plastic Packaging Container (GS1 Temporary Code)</p> <p>Indicates that a product is or is contained in a Rigid Plastic Packaging Container (RPPC) as defined by laws in the target market.</p>
X22	<p>Trade Item Is ROHS Compliant (GS1 Temporary Code)</p> <p>Indicates if the product is compliant with the European Union RoHS Directive.</p>
X23	<p>Trade Item Is Universal Waste (GS1 Temporary Code)</p> <p>Indicates if a product can be considered universal waste.</p>

## Used Codes

---

X24	Trade Item Is Consumer Upgradeable Or Maintainable (GS1 Temporary Code) Indicates if a product can be easily upgraded or have parts replaced by the consumer.
X25	Trade Item Contains Short Chain Chlorinated Paraffins (GS1 Temporary Code) Indicate if the trade item and/or its components contain paints, coatings, plastics or other materials containing short chain chlorinated paraffins (SCCPs).
X26	Trade Item Contains Pesticide (GS1 Temporary Code) Indicates if the trade item is advertised or labelled as a chemical or contains a chemical that is advertised or labelled to kill, repel or prevent the growth of any living organism.
X27	Trade Item Contains Propellant (GS1 Temporary Code) Indicates if a trade item contains a compressed gas or propellant.
X28	Trade Item Contains Polyvinyl Chloride (GS1 Temporary Code) Indicate if product contains Polyvinyl Chloride (PVC), a widely used thermoplastic polymer.
X29	Trade Item Chemical Is Not Intended For Human Consumption (GS1 Temporary Code) Indicates that the trade item is or contains a Liquid, Gel, Paste, Powder, or Flammable solid not intended for human consumption (ingested).
X30	ROHS Compliance Failure Material (GS1 Temporary Code) The material used in the trade item that does not comply with the ROHS Directives
X31	Packaging Terms And Condition (GS1 Temporary Code) Indicates if the packaging given in the described packaging configuration is a rented, exchangeable, against deposit or one way/not reusable.
X32	Warranty Effective Date Type (GS1 Temporary Code) The type of date associated with the warranty trade item usually expressed as an event date for the item for example date of purchase, date of manufacture or date of delivery.
X33	Warranty Type (GS1 Temporary Code) Type of warranty available for the part, e.g. labour, distance, extended service.
X35	Warranty Constraint (GS1 Temporary Code) Defines the relationship between different guarantee terms, e.g. "and", "or", "the stronger", "the weaker".
X36	Seasonal Availability End Date (GS1 Temporary Code) Indicates the end date of the trade item's seasonal availability.
X37	Seasonal Availability Start Date (GS1 Temporary Code) Indicates the start date of the trade item's seasonal availability.

## Used Codes

---

X38	Season Calendar Year (GS1 Temporary Code) This element indicates the calendar year in which the trade item is seasonally available.
X39	Season Parameter (GS1 Temporary Code) Indication of the season, in which the trade item is available.
X40	Trade Item Automatic Power Down is Enabled (GS1 Temporary Code) An indicator whether a product is enabled with auto power down feature when shipped to the customer.
X41	Electrical Usage Agency Code (GS1 Temporary Code) The agency that regulates electrical usage for products within a target market.
X42	Nesting Type (GS1 Temporary Code) Depicts whether a nested item fits inside or over the other item in a nesting relationship.
X43	Display Dimension Type Code (GS1 Temporary Code) Depicts certain display scenarios used for measurement.
X44	Manufacturer Has Take Back Program (GS1 Temporary Code) Indicates if the manufacturer of the trade item offers any take back programs to consumers for the product to be reused, remanufactured or recycled by the manufacturer.
X45	Display Resolution (GS1 Temporary Code) The display resolution of a television or computer display.
X46	Orientation Preference Sequence (GS1 Temporary Code) Depicts the preferred sequence of orientation used to communicate the manufacturers relative preferences of orientation.
X47	Orientation Type (GS1 Temporary Code) Depicts via code a display orientation for a trade item.
X48	Electrical Usage Trade Item Classification Code (GS1 Temporary Code) A classification code value from a product classification scheme provided to drive required information for electrical usage.
X49	Electrical Usage Trade Item Classification Name (GS1 Temporary Code) A classification name from a product classification scheme provided to drive required information for electrical usage.
X50	Electrical Usage SubClassification Code (GS1 Temporary Code) A sub-classification code value from a product classification scheme provided to drive required information for electrical usage.
X51	Electrical Usage SubClassification Name (GS1 Temporary Code) A sub-classification name provided to drive required information for electrical usage.

## Used Codes

---

X52	Confirmation Status Code (GS1 Temporary Code) The CIC Confirmation Code must be of a type of code number that can be generated automatically by a computer system.
X53	Confirmation Status Code Description (GS1 Temporary Code) Provides the code description that matches up with the Code that can possibly be generated automatically by a computer system.
X54	Additional Confirmation Status Description (GS1 Temporary Code) Provides a way to communicate human entered information that may not be covered by the machine to machine codes and descriptions.
X55	Corrective Action (GS1 Temporary Code) Provides the corrective action code to fix the issue that caused the problem.
X56	Expected Corrective Information (GS1 Temporary Code) Provides the expected corrective information via a human entered information that may not be covered by the machine to machine codes.
X57	Electrical Usage Trade Item Classification Agency (GS1 Temporary Code) A classification agency or organisation whose product classification scheme is being provided to drive required information for electrical usage.
X58	ASFIS (GS1 Permanent Code) FAO alphah-3 code list for fish species identification, commercial name & scientific name.
X59	FAO fishing areas (GS1 Permanent Code) FAO fishing areas codelist.
X60	FAO Fishing gear type (GS1 Permanent Code) FAO Fishing gear type codelist.
X61	EU fish quality (GS1 Permanent Code) EU fish quality grade code list (E, A, B, C).
X62	EU fish size (GS1 Permanent Code) EU fish standardized size code list (1, 2, 3, 4, 5 & One_Size).
X63	EU fish presentation (GS1 Permanent Code) EU fish presentation code list (3 or 5 char alpha code).
ZZZ	Mutually defined Self explanatory. Note : This code value will be removed effective with directory D.04A.
<b>1153</b>	Reference code qualifier Code qualifying a reference.
CT	Contract number Reference number of a contract concluded between parties.

## Used Codes

---

FC	Fiscal number Tax payer's number. Number assigned to individual persons as well as to corporates by a public institution; this number is different from the VAT registration number.
GN	Government reference number A number that identifies a government reference. GS1 Description: This code value should not be used to provide the tax identification number for a party (use code VA).
VA	VAT registration number Unique number assigned by the relevant tax authority to identify a party for use in relation to Value Added Tax (VAT).
YC1	Additional party identification (GS1 Temporary Code) Reference number to an additional party identification. This number may be the internal trading partner identification number used by a party to identify its trading parties.
<b>1225</b>	Message function code Code indicating the function of the message.
7	Duplicate The message is a duplicate of a previously generated message.
9	Original Initial transmission related to a given transaction.
<b>2005</b>	Date or time or period function code qualifier Code qualifying the function of a date, time or period.
12	Terms discount due date/time Date by which payment should be made if discount terms are to apply.
13	Terms net due date Date by which payment must be made.
137	Document/message date/time (2006) Date/time when a document/message is issued. This may include authentication.
209	Value date Date on which the funds are at the disposal of the beneficiary or cease to be at the disposal of the ordering customer.
<b>2379</b>	Date or time or period format code Code specifying the representation of a date, time or period.
2	DDMMYY Calendar date: D = Day; M = Month; Y = Year.

**Used Codes**

101	YYMMDD Calendar date: Y = Year; M = Month; D = Day.
102	CCYYMMDD Calendar date: C = Century ; Y = Year ; M = Month ; D = Day.
104	MMWW-MMWW A period of time specified by giving the start week of a month followed by the end week of a month. Data is to be transmitted as consecutive characters without hyphen.
107	DDD Day's number within a specific year: D = Day.
108	WW Week's number within a specific year: W = Week.
109	MM Month's number within a specific year: M = Month.
110	DD Day's number within is a specific month.
201	YYMMDDHHMM Calendar date including time without seconds: Y = Year; M = Month; D = Day; H = Hour; M = Minute.
203	CCYYMMDDHHMM Calendar date including time with minutes: C=Century; Y=Year; M=Month; D=Day; H=Hour; M=Minutes.
204	CCYYMMDDHHMMSS Calendar date including time with seconds: C=Century;Y=Year; M=Month; D=Day;H=Hour;M=Minute;S=Second.
401	HHMM Time without seconds: H = Hour; m = Minute.
501	HHMMHHMM Time span without seconds: H = Hour; m = Minute;.
502	HHMMSS-HHMMSS Format of period to be given without hyphen.
602	CCYY Calendar year including century: C = Century; Y = Year.
609	YYMM Month within a calendar year: Y = Year; M = Month.
610	CCYYMM Month within a calendar year: CC = Century; Y = Year; M = Month.

## Used Codes

---

615	YYWW Week within a calendar year: Y = Year; W = Week 1st week of January = week 01.
616	CCYYWW Week within a calendar year: CC = Century; Y = Year; W = Week (1st week of January = week 01).
713	YYMMDDHHMM-YYMMDDHHMM Format of period to be given in actual message without hyphen.
715	YYWW-YYWW A period of time specified by giving the start week of a year followed by the end week of year (both not including century). Data is to be transmitted as consecutive characters without hyphen.
717	YYMMDD-YYMMDD Format of period to be given in actual message without hyphen.
718	CCYYMMDD-CCYYMMDD Format of period to be given without hyphen.
719	CCYYMMDDHHMM-CCYYMMDDHHMM A period of time which includes the century, year, month, day, hour and minute. Format of period to be given in actual message without hyphen.
720	DHHMM-DHHMM Format of period to be given without hyphen (D=day of the week, 1=Monday; 2=Tuesday; ... 7=Sunday).
801	Year To indicate a quantity of years.
802	Month To indicate a quantity of months.
803	Week To indicate a quantity of weeks.
804	Day To indicate a quantity of days.
805	Hour To indicate a quantity of hours.
806	Minute To indicate a quantity of minutes.
810	Trimester To indicate a quantity of trimesters (three months).
811	Half month To indicate a quantity of half months.



**Used Codes**

21E	DDHHMM-DDHHMM (GS1 Temporary Code) Format of period to be given in actual message without hyphen.
<b>2475</b>	Time reference code Code referencing a point in time.
1	Date of order Payment time reference is date of order.
2	Date of confirmation Payment time reference is date of confirmation.
3	Date of contract Payment time reference is date of contract.
5	Date of invoice Payment time reference is date of invoice.
6	Date of credit note Payment time reference is date of credit note.
7	Date of present document Payment time reference is date of present document.
8	Date of confirmation of order received Payment time reference is date of confirmation received.
9	Date invoice received Payment time reference is date of invoice received.
11	Date credit note received Payment time reference is date of credit note received.
12	Date present document received Payment time reference is date of present document received.
21	Date goods received by buyer Payment time reference is date when goods are received by buyer.
23	Date goods received by carrier Payment time reference is date when goods are received by carrier.
26	Date of arrival of transport Date the transport arrived at the agreed destination.
27	Date of outward frontier crossing Date the goods are crossing the border of the exporters country.
28	Date of inward frontier crossing Date the goods are crossing the border of the importers country.
29	Date of delivery of goods to establishments/domicile/site Date the goods are delivered at agreed place of destination.

**Used Codes**

52	Due date of negotiable instrument Date when the negotiable instrument is due for payment.
66	Specified date Date specified elsewhere.
67	Anticipated delivery date The date on which delivery is anticipated to take place.
68	Effective date The date on which an action or event becomes effective.
69	Invoice transmission date Payment time reference is the date of invoice transmission.
70	Date of issue of transport document(s) The date on which a transport document(s) is issued.
72	Payment date Date when a payment was made.
78	Customs clearance date (import) Date when goods clear Customs in the importing country.
79	Customs clearance date (export) Date when goods clear Customs in the exporting country.
80	Date of salary payment Date when a salary payment was made.
81	Date of shipment as evidenced by the transport document(s) Date of shipment as evidenced by the transport document(s).
83	Requested date of delivery Payment terms apply from the requested date of delivery.
83E	Period of exceptional situation (GS1 Temporary Code) Period of a situation that affects the normal contribution of the employee.
X10	Receipt of goods (GS1 Temporary Code) Payment time reference is the date when goods are received by a receiving party.
<b>3035</b>	Party function code qualifier Code giving specific meaning to a party.
BY	Buyer Party to whom merchandise and/or service is sold.
CPE	Central payment service (GS1 Temporary Code) Master of the conveyance. GS1 Description: A party providing central (or consolidated payment) services.

**Used Codes**

PE	Payee Identifies the credit party when other than the beneficiary.
PR	Payer (3308) Party initiating payment.
SU	Supplier Party who supplies goods and/or services. GS1 Description: Party which provides service(s) and/or manufactures or otherwise has possession of goods, and consigns or makes them available in trade.
<b>3055</b>	Code list responsible agency code Code specifying the agency responsible for a code list.
2	CEC (Commission of the European Communities) Generic: see also 140, 141, 142, 162. GS1 Description: Commission of the European Communities
3	IATA (International Air Transport Association) The airline industry's international organisation. GS1 Description: International Air Transport Association
5	ISO (International Organization for Standardization) International Organization of Standardization.
6	UN/ECE (United Nations - Economic Commission for Europe) United Nations Economic Commission for Europe.
7	CEFIC (Conseil Europeen des Federations de l'Industrie Chimique) EDI project for chemical industry.
8	EDIFICE Standardised electronic commerce forum for companies with interests in computing, electronics and telecommunications. GS1 Description: EDI Forum for companies with Interest in Computing and Electronics (EDI project for EDP/ADP sector).
9	GS1 GS1 (formerly EAN International), an organisation of GS1 Member Organisations, which manages the GS1 System. GS1 Description: GS1 International.
10	ODETTE Organization for Data Exchange through Tele-Transmission in Europe (European automotive industry project).
17	S.W.I.F.T. Society for Worldwide Interbank Financial Telecommunications s.c.

## Used Codes

---

28	EDITEUR (European book sector electronic data interchange group) Code identifying the pan European user group for the book industry as an organisation responsible for code values in the book industry.
60	Assigned by national trade agency The code list is from a national agency.
65	GS1 France Organisation responsible for GS1 System in France.
68	GS1 Italy Organisation responsible for GS1 System in Italy.
83	US, National Retail Federation The National Retail Federation is the trade association for the general merchandise retailing industry. In addition to providing support and education services, they also maintain and publish standard colour and size codes for the retail industry.
84	DE, BRD (Gesetzgeber der Bundesrepublik Deutschland) German legislature.
86	Assigned by party originating the message Codes assigned by the party originating the message.
87	Assigned by carrier Codes assigned by the carrier.
88	Assigned by owner of operation Assigned by owner of operation (e.g. used in construction).
89	Assigned by distributor Codes assigned by a distributor.
90	Assigned by manufacturer Code assigned by the manufacturer.
91	Assigned by supplier or supplier's agent Codes assigned by a seller or seller's agent. GS1 Description: Code assigned by the supplier or supplier's agent.
92	Assigned by buyer or buyer's agent Codes assigned by a buyer or buyer's agent.
112	US, U.S. Census Bureau The Bureau of the Census of the U.S. Dept. of Commerce.
113	GS1 US Organisation responsible for GS1 System in the USA.
116	US, ANSI ASC X12 American National Standards Institute ASC X12.

**Used Codes**

131	DE, German Bankers Association German Bankers' Association.
136	GS1 UK Organisation responsible for GS1 System in the UK.
137	AT, Verband oesterreichischer Banken und Bankiers Austrian bankers association.
174	DE, DIN (Deutsches Institut fuer Normung) German standardization institute.
182	US, Standard Carrier Alpha Code (Motor) Organisation maintaining the SCAC lists and transportation operating in North America.
194	AU, AQIS (Australian Quarantine and Inspection Service) Australian Quarantine and Inspection Service.
200	GS1 Netherlands Organisation responsible for GS1 System in the Netherlands.
245	GS1 Denmark Organisation responsible for GS1 System in Denmark.
246	GS1 Germany Organisation responsible for GS1 System in Germany. GS1 Description: German representative of International Article Numbering association (GS1).
260	Ediel Nordic forum A code to identify Ediel Nordic forum, which is an organization standardizing the use of EDI between the participants in the Nordic power market.
281	GS1 Belgium & Luxembourg Organisation responsible for GS1 System in Belgium & Luxembourg.
286	SE, TCO (Tjänstemännen Central Organisation) The Swedish Confederation of Professional Employees.
294	GS1 Austria Organisation responsible for the GS1 System in Austria.
295	AU, Therapeutic Goods Administration Austrialian administration responsible for the regulation of therapeutic goods in Australia. EDIFACT
297	IT, Ufficio IVA Ufficio responsabile gestione partite IVA, Italy (Italian Institute issuing VAT registration numbers). EDIFACT

**Used Codes**

298	GS1 Spain Organisation responsible for the GS1 System in Spain.
316	GS1 Finland Organisation responsible for the GS1 system in Finland.
317	GS1 Brazil Organisation responsible for the GS1 system in Brazil.
324	GS1 Ireland Organisation responsible for the GS1 system in Ireland.
325	GS1 Russia Organisation responsible for the GS1 system in Russia.
326	GS1 Poland Organisation responsible for the GS1 system in Poland.
327	GS1 Estonia Organisation responsible for the GS1 system in Estonia.
376	PANTONE Color code controlling organisation
400	FAO (Food and Agriculture Organisation) Food and Agriculture Organisation of the United Nations.
403	Comite Europeen de Normalisation Comite Européen de Normalisation (CEN), European committee for standardisation. GS1 Note: Replaces GS1 Temporary Code CEN.
404	Assigned by logistics service provider Codes assigned by a logistics service provider. GS1 Note: Replaces GS1 Temporary Code X6.
CEN	Comite European de Normalisation (GS1 Temporary Code) Comite European de Normalisation. GS1 Note: Code marked for deletion. Use value 403 instead.
PMS	Pantone Matching System (GS1 Temporary Code) Pantone Matching System.
RAL	DE, Deutsches Institut fuer Guetesicherung und Kennzeichnung (GS1 Temporary Code) German Institute for Quality Assurance and Certification.
X5	IT, Ufficio IVA (GS1 Temporary Code) Ufficio responsabile gestione partite IVA, Italy (Italian Institute issuing VAT registration numbers).
X6	Assigned by logistics service provider (GS1 Temporary Code) Codes assigned by the logistics service provider. GS1 Note: Code marked for deletion. Use value 404 instead.

## Used Codes

---

ZZZ Mutually defined  
A code assigned within a code list to be used on an interim basis and as defined among trading partners until a precise code can be assigned to the code list.

---

**4277** Payment terms description identifier  
Identification of the terms of payment between the parties to a transaction (generic term).

Notes:

1. Recommend use UN/ECE Recommendation No. 17 Payterms.

---

1 Draft(s) drawn on issuing bank  
Draft(s) must be drawn on the issuing bank.

---

2 Draft(s) drawn on advising bank  
Draft(s) must be drawn on the advising bank.

---

3 Draft(s) drawn on reimbursing bank  
Draft(s) must be drawn on the reimbursing bank.

---

4 Draft(s) drawn on applicant  
Draft(s) must be drawn on the applicant.

---

5 Draft(s) drawn on any other drawee  
Draft(s) must be drawn on any other drawee.

---

6 No drafts  
No drafts required.

---

ZZZ Mutually defined (GS1 Temporary Code)  
A code identifying mutually defined payment terms.

---

**4279** Payment terms type code qualifier  
Code qualifying the type of payment terms.

---

3 Fixed date  
Payments are due on the fixed date specified.

---

**5025** Monetary amount type code qualifier  
Code qualifying the type of monetary amount.

---

9 Amount due/amount payable  
Amount to be paid.

---

86 Message total monetary amount  
The total of all monetary amounts contained within the message.

---

124 Tax amount  
Tax imposed by government or other official authority related to the weight/volume charge or valuation charge.

## Used Codes

---

125	Taxable amount Amount on which a tax has to be applied. GS1 Description: The monetary amount liable to tax.
<b>5153</b>	Duty or tax or fee type name code Code specifying a type of duty, tax or fee.
VAT	Value added tax A tax on domestic or imported goods applied to the value added at each stage in the production/distribution cycle.
<b>5273</b>	Duty or tax or fee rate basis code Code specifying the basis for a duty or tax or fee rate.
1	Value (5316) To specify that the applicable rate of duty, tax or fee is based on the Customs value (CCC).
2	Weight (6150) To specify that the applicable rate of duty, tax or fee is based on the weight of the item (CCC).
3	Quantity (6060) To specify that the applicable rate of duty, tax or fee is based on the quantity of the item (CCC).
<b>5283</b>	Duty or tax or fee function code qualifier Code qualifying the function of a duty or tax or fee.
7	Tax Contribution levied by an authority.
<b>5305</b>	Duty or tax or fee category code Code specifying a duty or tax or fee category.
A	Mixed tax rate Code specifying that the rate is based on mixed tax. GS1 Description: Transaction includes item taxed at different rates.
AA	Lower Rate Tax rate is lower than standard rate.
AC	Value Added Tax (VAT) not now due for payment A code to indicate that the Value Added Tax (VAT) amount which is due on the current invoice is to be paid on receipt of a separate VAT payment request. GS1 Description: The value added tax is not due for payment now.



## Used Codes

---

AE	VAT Reverse Charge Code specifying that the standard VAT rate is levied from the invoicee. GS1 Description: Code specifying that the rate is based upon the reverse charge VAT treatment which is always standard rate tax.
C	Duty paid by supplier Duty associated with shipment of goods is paid by the supplier; customer receives goods with duty paid.
D	Value Added Tax (VAT) margin scheme - travel agents Indication that the VAT margin scheme for travel agents is applied.
E	Exempt from tax Code specifying that taxes are not applicable. GS1 Description: All items in the transaction or a specific line item are exempt from tax.
F	Value Added Tax (VAT) margin scheme - second-hand goods Margin scheme for second-hand goods.
G	Free export item, tax not charged Indication that the VAT margin scheme for second-hand goods is applied.
H	Higher rate Code specifying a higher rate of duty or tax or fee. GS1 Description: All items in the transaction or a specific line item are taxed at the higher rate of tax.
I	Value Added Tax (VAT) margin scheme - works of art Indication that the VAT margin scheme for works of art is applied.
J	Value Added Tax (VAT) margin scheme - collector's items and antiques Indication that the VAT margin scheme for collector's items and antiques is applied.
O	Services outside scope of tax Code specifying that taxes are not applicable to the services.
S	Standard rate Code specifying the standard rate. GS1 Description: All items in the transaction or a specific line item are taxed at the standard rate of tax.
Z	Zero rated goods Code specifying that the goods are at a zero rate. GS1 Description: All items in the transaction or a specific line item are zero tax rated.
<b>6343</b>	Currency type code qualifier Code qualifying the type of currency.

## Used Codes

---

4	Invoicing currency The name or symbol of the monetary unit used for calculation in an invoice.
11	Payment currency The name or symbol of the monetary unit used for payment.
<b>6345</b>	Currency identification code Code specifying a monetary unit.  Notes: 1. Use ISO 4217 three alpha code.
AED	Dirham
AFN	Afghani
ALL	Lek
AMD	Dram
ANG	Netherlands Antillian Guilder
AOA	Kwanza
ARS	Argentine Peso
AUD	Australian Dollar
AWG	Aruban Florin
AZN	Azerbaijan Manat
BAM	Convertible Mark
BBD	Barbados Dollar
BDT	Taka
BGN	Bulgarian Lev
BHD	Bahraini Dinar
BIF	Burundi Franc
BMD	Bermudian Dollar (customarily: Bermuda Dollar)
BND	Brunei Dollar
BOB	Boliviano
BOV	Mvdol
BRL	Brazilian Real
BSD	Bahamian Dollar
BTN	Ngultrum
BWP	Pula
BYN	Belarussian Ruble

**Used Codes**

---

BZD	Belize Dollar
CAD	Canadian Dollar
CDF	Franc Congolais
CHE	WIR Euro
CHF	Swiss Franc
CHW	WIR Franc
CLF	Unidad de Fomento
CLP	Chilean Peso
CNY	Yuan Renminbi
COP	Colombian Peso
COU	Unidad de Valor Real
CRC	Costa Rican Colon
CUC	Peso Convertible
CUP	Cuban Peso
CVE	Cabo Verde Escudo
CZK	Czech Koruna
DJF	Djibouti Franc
DKK	Danish Krone
DOP	Dominican Peso
DZD	Algerian Dinar
EGP	Egyptian Pound
ERN	Nakfa
ETB	Ethopian Birr
EUR	Euro
FJD	Fiji Dollar
FKP	Falkland Islands Pound
GBP	Pound Sterling
GEL	Lari
GHS	Ghana Cedi
GIP	Gibraltar Pound
GMD	Dalasi
GNF	Guinean Franc
GTQ	Quetzal

**Used Codes**

GYD	Guyana Dollar
HKD	Honk Kong Dollar
HNL	Lempira
HRK	Kuna
HTG	Gourde
HUF	Forint
IDR	Rupiah
ILS	New Israeli Sheqel
INR	Indian Rupee
IQD	Iraqi Dinar
IRR	Iranian Rial
ISK	Iceland Krona
JMD	Jamaican Dollar
JOD	Jordanian Dinar
JPY	Yen
KES	Kenyan Shilling
KGS	Som
KHR	Riel
KMF	Comorian Franc
KPW	North Korean Won
KRW	Won
KWD	Kuwaiti Dinar
KYD	Cayman Islands Dollar
KZT	Tenge
LAK	Lao Kip
LBP	Lebanese Pound
LKR	Sri Lanka Rupee
LRD	Liberian Dollar
LSL	Loti
LYD	Libyan Dinar
MAD	Morrocan Dirham
MDL	Moldovan Leu
MGA	Ariary

**Used Codes**

MKD	Denar
MMK	Kyat
MNT	Tugrik
MOP	Pataca
MRU	Ouguiya
MUR	Mauritius Rupee
MVR	Rufiyaa
MWK	Malawi Kwacha
MXN	Mexican Peso
MXV	Mexican Unidad de Inversion (UDI)
MYR	Malaysian Ringgit
MZN	Mozambique Metical
NAD	Namibia Dollar
NGN	Naira
NIO	Cordoba Oro
NOK	Norwegian Krone
NPR	Nepalese Rupee
NZD	New Zealand Dollar
OMR	Rial Omani
PAB	Balboa
PEN	Sol
PGK	Kina
PHP	Philippine Piso
PKR	Pakistan Rupee
PLN	Zloty
PYG	Guarani
QAR	Qatari Rial
RON	Romanian Leu This currency code is effective from 1 July 2005
RSD	Serbian Dinar
RUB	Russian Ruble
RWF	Rwanda Franc
SAR	Saudi Riyal

**Used Codes**

SBD	Solomon Islands Dollar
SCR	Seychelles Rupee
SDG	Sudanese Pound
SEK	Swedish Krona
SGD	Singapore Dollar
SHP	St. Helena Pound
SLL	Leone
SOS	Somali Shilling
SRD	Suriname Dollar
SSP	South Sudanese Pound
STN	Dobra
SVC	El Salvador Colon
SYP	Syrian Pound
SZL	Lilangeni
THB	Baht
TJS	Somoni
TMT	Turkmenistan New Manat
TND	Tunisian Dinar
TOP	Pa'anga
TRY	Turkish Lira
TTD	Trinidad and Tobago Dollar
TWD	New Taiwan Dollar
TZS	Tanzanian Shilling
UAH	Hryvnia
UGX	Uganda Shilling
USD	US Dollar
USN	US Dollar (Next day)
UYI	Uruguayo Peso en Unidades
UYU	Peso Uruguayo
UYW	Unidad Previsional
UZS	Uzbekistan Sum
VES	Bolívar Soberano
VND	Dong

**Used Codes**

VUV	Vatu
WST	Tala
XAF	CFA Franc
XAG	Silver
XAU	Gold
XBA	Bond Markets Units European Composite Unit (EURCO)
XBB	European Monetary Unit (E.M.U.-6)
XBC	European Unit of Account 9 (E.U.A.-9)
XBD	European Unit of Account 17 (E.U.A.-17)
XCD	East Carribean Dollar
XDR	SDR
XOF	CFA Franc
XPD	Palladium
XPF	CFP Franc
XPT	Platinum
XSU	Sucre
XTS	Codes specifically reserved for testing purposes
XUA	ADB Unit of Account
XXX	The codes assigned for transactions where no currency is involved
YER	Yemeni Rial
ZAR	Rand
ZMW	Zambian Kwacha
ZWL	Zimbabwe Dollar (effective 1 February 2009)
<b>6347</b>	Currency usage code qualifier Code qualifying the usage of a currency.
2	Reference currency The currency applicable to amounts stated. It may have to be converted.
3	Target currency The currency which should be used to the target destination of the transaction.

**Example****UNA:+.?'**

The UNA segment contains the default service string characters.

**UNB+UNOC:3+4012345000009:14:4012345000018+4000004000002:14:4000004000099+101013:1043+4711+REF:AA++++EANCOM+1'**

The EANCOM file 4711 dated 13.10.2010, 10 h 43 is sent by the issuer identified with GLN 4012345000009 to the receiver identified with GLN 4000004000002.

**UNH+ME000001+INVOIC:D:01B:UN:EAN011'**

The reference number of the invoice message is ME000001.

**BGM+393:::PRESSE+87441+9'**

The document number is 87441.

The document number is 87441.

**DTM+137:20180425:102'**

The message was created on 25.04.2018.

**RFF+CT:1'**

Invoice references to agreement no. 1.

**NAD+CPE+4071615111110::9'**

The recipient of the invoice register (Central payment service provider) is identified by GLN 4071615111110.

**RFF+VA:DE090909'**

The VAT registration number is DE090909.

**NAD+BY+4071615111110::9'**

alternatively: The recipient of the invoice register (buyer) is identified by GLN 4071615111110.

**RFF+VA:DE090909'**

The VAT registration number is DE090909.

**NAD+SU+4389876511113::9+ABC123:X:X:X:X'**

The supplier/issuer of invoice is identified by GLN 4389876511113.

**RFF+GN:HRB-471111'**

German statements on business letters: HRB-471111

**RFF+YC1:0817'**

The additional identification is 0817.

**RFF+VA:DE101010'**

The VAT registration number is DE101010.

**RFF+FC:07/408/1234/5'**

The fiscal tax number is 07/408/1234/5.

**NAD+PR+4389876511893::9'**

The obligated payer is identified by GLN 4389876511893.

**NAD+PE+4000001000001::9'**

The payee is identified by GLN 4000001000001.

**TAX+7+VAT+ABC123++:::19+S'**

The dominant tax rate of the document is 19%.

**CUX+2:EUR:4+3:USD:11+0.90243'**

The document has been invoiced in EURO.

**PAT+3'**



**Example**

---

Due date:

**DTM+13:20180315:102'**

Invoice is due on 15.03.2018

**PAT+3'**

Payment terms:

**DTM+12:20190412:102'**

Terms discount due date is 12.04.2019

**UNS+S'**

Separation of detail- and summary section

**MOA+86:121.99'**

The total amount of the invoice register is 121.99 EURO.

**MOA+9:121.99'**

The amount payable is 121.99 EURO.

**MOA+124:16.83'**

The invoice register total VAT amount is 16.83 EURO.

**MOA+125:105.16'**

The taxable amount is 105.16 EURO.

**TAX+7+VAT+ABC123++:::19+S'**

The amounts based on a tax rate of 19% are:

**MOA+124:16.83'**

The VAT amount is 16.83 EURO.

**MOA+125:105.16'**

The taxable amount/VAT rate is 105,16 EURO

**MOA+86:121.99'**

The total amount of the invoice register (19% VAT) is 121.99 EURO.

**UNT+34+ME000001'**

Number of segments in the message.

**UNZ+1+4711'**

The transmission file contains 1 message.

---